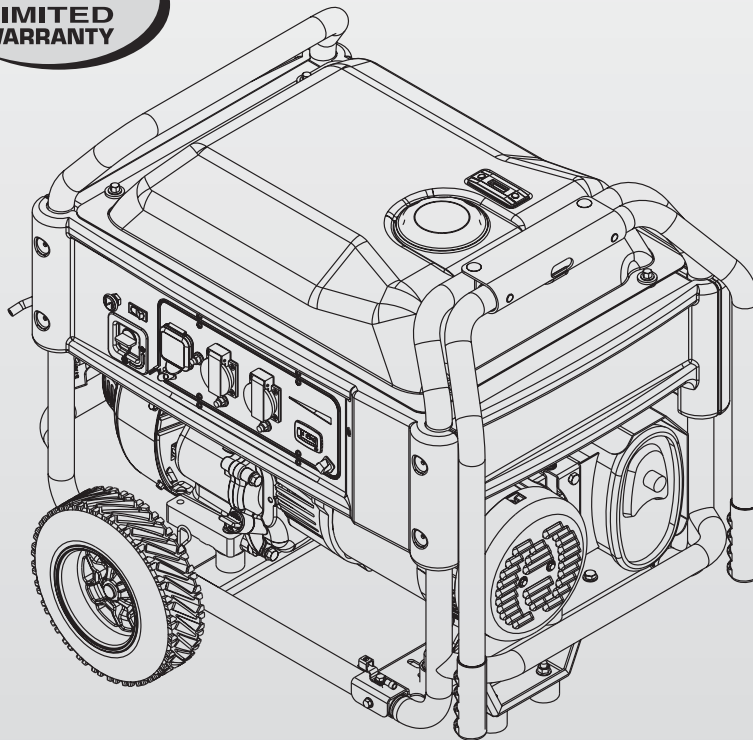




Owner's Manual

XG Series 5,600-6,400 Watt, 50 Hz Portable Generator

**2 YEAR
LIMITED
WARRANTY**



⚠ DANGER!

- ⚠ DEADLY EXHAUST FUMES! ONLY use OUTSIDE far away from windows, doors and vents!**
- ⚠ NOT INTENDED FOR USE IN CRITICAL LIFE SUPPORT APPLICATIONS.**
- ⚠ SAVE this Manual. Provide this manual to any operator of the generator.**

Table of Contents

Introduction.....	1	Maintenance	11
Read this Manual Thoroughly	1	3.1 Maintenance Schedule	11
Safety Rules	1	3.2 Product Specifications.....	11
Registration	3	3.2.1 Generator Specifications	11
		3.2.2 Engine Specifications.....	11
General Information.....	4	3.3 General Recommendations.....	11
1.1 Unpacking.....	4	3.3.1 Generator Maintenance	11
1.1.1 Accessory Box	4	3.3.2 To Clean the Generator.....	12
1.2 Assembly.....	4	3.3.3 Engine Maintenance.....	12
1.2.1 Assembling the Wheel Kit and Frame Foot.....	4	3.3.4 Checking Oil Level	12
		3.3.5 Changing the Oil and Oil Filter	12
		3.3.6 Replacing the Spark Plug	12
Operation	5	3.4 Service Air Filter.....	12
2.1 Know the Generator	5	3.5 Clean Spark Arrestor Screen.....	13
2.1.1 Battery Connection	6	3.6 General	13
2.2 Hourmeter.....	6	3.7 Long Term Storage.....	13
2.3 Cord Sets and Connection Plugs	6	3.8 Other Storage Tips	13
2.3.1 230 VAC, 16 Amp, CEE 7/4, Type F Receptacle .	6		
2.3.2 230 VAC, 30 Amp Receptacle.....	7	Battery Service	14
2.3.3 Adapter Cable, 50 Hz (XG5600/XG6400 only)	7	4.1 Battery Replacement	14
2.4 How to Use the Generator	7		
2.4.1 System Ground.....	8	Troubleshooting	15
2.4.2 Connecting to a Building's Electrical System	8	5.1 Troubleshooting Guide.....	15
2.4.3 Connecting Electrical Loads	8		
2.5 Don't Overload the Generator.....	8		
2.6 Before Starting the Generator	8		
2.6.1 Adding Engine Oil	8		
2.6.2 Adding Gasoline.....	9		
2.7 To Start the Engine.....	9		
2.7.1 Manual (Recoil) Starting	10		
2.7.2 Electric Starting	10		
2.8 Stopping the Engine	10		
2.9 Low Oil Pressure Shutdown System.....	10		
2.9.1 Restarting.....	10		
2.10 Charging the Battery (Electric Start Units Only).....	10		

INTRODUCTION

Thank you for purchasing this model by Generac Power Systems, Inc. This model is a compact, high performance, air-cooled, engine driven generator designed to supply electrical power to operate electrical loads where no utility power is available or in place of utility due to a power outage.

READ THIS MANUAL THOROUGHLY

If any portion of this manual is not understood, contact the nearest Authorized Dealer for starting, operating and servicing procedures.

The operator is responsible for proper and safe use of the equipment. We strongly recommend that the operator read this manual and thoroughly understand all instructions before using the equipment. We also strongly recommend instructing other users to properly start and operate the unit. This prepares them if they need to operate the equipment in an emergency.

The generator can operate safely, efficiently and reliably only if it is properly located, operated and maintained. Before operating or servicing the generator:

- Become familiar with and strictly adhere to all local, state and national codes and regulations.
- Study all safety warnings in this manual and on the product carefully.
- Become familiar with this manual and the unit before use.

The manufacturer cannot anticipate every possible circumstance that might involve a hazard. The warnings in this manual, and on tags and decals affixed to the unit are, therefore, not all inclusive. If using a procedure, work method or operating technique that the manufacturer does not specifically recommend, ensure that it is safe for others. Also make sure the procedure, work method or operating technique utilized does not render the generator unsafe.

THE INFORMATION CONTAINED HEREIN WAS BASED ON MACHINES IN PRODUCTION AT THE TIME OF PUBLICATION. GENERAC RESERVES THE RIGHT TO MODIFY THIS MANUAL AT ANY TIME.

SAFETY RULES

Throughout this publication, and on tags and decals affixed to the generator, DANGER, WARNING, CAUTION and NOTE blocks are used to alert personnel to special instructions about a particular operation that may be hazardous if performed incorrectly or carelessly. Observe them carefully. Their definitions are as follows:

DANGER!

INDICATES A HAZARDOUS SITUATION OR ACTION WHICH, IF NOT AVOIDED, WILL RESULT IN DEATH OR SERIOUS INJURY.

WARNING!

Indicates a hazardous situation or action which, if not avoided, could result in death or serious injury.

CAUTION!


Indicates a hazardous situation or action which, if not avoided, could result in minor or moderate injury.

NOTE:

Notes contain additional information important to a procedure and will be found within the regular text body of this manual.


These safety warnings cannot eliminate the hazards that they indicate. Common sense and strict compliance with the special instructions while performing the action or service are essential to preventing accidents.

Four commonly used safety symbols accompany the **DANGER**, **WARNING** and **CAUTION** blocks. The type of information each indicates is as follows:

 **This symbol points out important safety information that, if not followed, could endanger personal safety and/or property of others.**

 **This symbol points out potential explosion hazard.**

 **This symbol points out potential fire hazard.**

 **This symbol points out potential electrical shock hazard.**

GENERAL HAZARDS

- NEVER operate in an enclosed area, in a vehicle, or indoors EVEN IF doors and windows are open.
- For safety reasons, the manufacturer recommends that the maintenance of this equipment is carried out by an Authorized Dealer. Inspect the generator regularly, and contact the nearest Authorized Dealer for parts needing repair or replacement.
- Operate generator only on level surfaces and where it will not be exposed to excessive moisture, dirt, dust or corrosive vapors.
- Keep hands, feet, clothing, etc., away from drive belts, fans, and other moving parts. Never remove any fan guard or shield while the unit is operating.
- Certain parts of the generator get extremely hot during operation. Keep clear of the generator until it has cooled to avoid severe burns.
- Do NOT operate generator in the rain.
- Do not alter the construction of the generator or change controls which might create an unsafe operating condition.
- Never start or stop the unit with electrical loads connected to receptacles AND with connected devices turned ON. Start the engine and let it stabilize before connecting electrical loads. Disconnect all electrical loads before shutting down the generator.
- Do not insert objects through unit's cooling slots.
- When working on this equipment, remain alert at all times. Never work on the equipment when physically or mentally fatigued.

Safety Rules





- Never use the generator or any of its parts as a step. Stepping on the unit can stress and break parts, and may result in dangerous operating conditions from leaking exhaust gases, fuel leakage, oil leakage, etc.
- On electric start models, disconnect the POSITIVE (+) battery cable from the engine starter OR the NEGATIVE (-) battery cable from the battery terminal, whichever is easier, before transporting the generator.

NOTE:

This generator is equipped with a spark arrestor muffler. The spark arrestor must be maintained in effective working order by the owner/ operator. See the "Clean Spark Arrestor Screen" section.

EXHAUST & LOCATION HAZARDS

- **Never operate in an enclosed area or indoors! NEVER use in the home, in a vehicle, or in partly enclosed areas such as garages, EVEN IF doors and windows are open! ONLY use outdoors and far from open windows, doors, vents, and in an area that will not accumulate deadly exhaust.**

 DANGER	
Using a generator indoors CAN KILL YOU IN MINUTES.	
Generator exhaust contains carbon monoxide. This is a poison you cannot see or smell.	
	
NEVER use inside a home or garage, EVEN IF doors and windows are open.	
	Only use OUTSIDE and far away from windows, doors, and vents.

- The engine exhaust fumes contain carbon monoxide, which you cannot see or smell. This poisonous gas, if breathed in sufficient concentrations, can cause unconsciousness or even death.
- Adequate, unobstructed flow of cooling and ventilating air is critical to correct generator operation. Do not alter the installation or permit even partial blockage of ventilation provisions, as this can seriously affect safe operation of the generator. The generator **MUST** be operated outdoors.
- This exhaust system must be properly maintained. Do nothing that might render the exhaust system unsafe or in noncompliance with any local codes and/or standards.
- Always use a battery operated carbon monoxide alarm indoors, installed according to the manufacturers instructions.
- If you start to feel sick, dizzy, or weak after the generator has been running, move to fresh air **IMMEDIATELY**. See a doctor, as you could have carbon monoxide poisoning.

ELECTRICAL HAZARDS

- The generator produces dangerously high voltage when in operation. Avoid contact with bare wires, terminals, connections, etc., while the unit is running, even on equipment connected to the generator. Ensure all appropriate covers, guards and barriers are in place before operating the generator.
- Never handle any kind of electrical cord or device while standing in water, while barefoot or while hands or feet are wet. **DANGEROUS ELECTRICAL SHOCK MAY RESULT.**
- Local electrical codes may require proper grounding of the generator. Consult with a local electrician for grounding requirements in the area.
- Do not use worn, bare, frayed or otherwise damaged electrical cord sets with the generator.
- Before performing any maintenance on the generator, disconnect the engine starting battery to prevent accidental start up. Disconnect the cable from the battery post indicated by a NEGATIVE, NEG or (-) first. Reconnect that cable last.
- In case of accident caused by electric shock, immediately shut down the source of electrical power. If this is not possible, attempt to free the victim from the live conductor. **AVOID DIRECT CONTACT WITH THE VICTIM.** Use a non-conducting implement, such as a rope or board, to free the victim from the live conductor. If the victim is unconscious, apply first aid and get immediate medical help.

FIRE HAZARDS

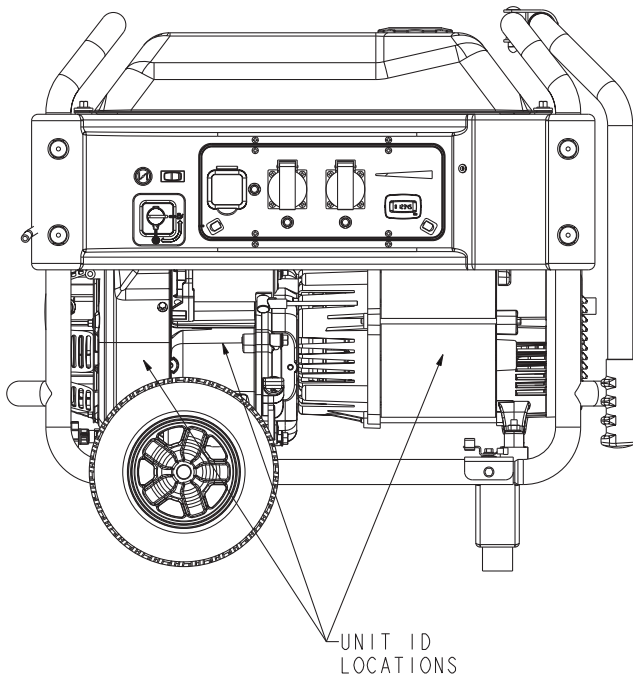
- **Gasoline is highly FLAMMABLE and its vapors are EXPLOSIVE. Do not permit smoking, open flames, sparks or heat in the vicinity while handling gasoline.**
- Never add fuel while unit is running or hot. Allow engine to cool completely before adding fuel.
- **Never fill fuel tank indoors.** Comply with all laws regulating storage and handling of gasoline.
- **Do not overfill the fuel tank. Always allow room for fuel expansion.** If tank is over-filled, fuel can overflow onto a hot engine and cause FIRE or an EXPLOSION. Never store generator with fuel in tank where gasoline vapors might reach an open flame, spark or pilot light (as on a furnace, water heater or clothes dryer). FIRE or EXPLOSION may result. Allow unit to cool entirely before storage.
- Wipe up any fuel or oil spills immediately. Ensure that no combustible materials are left on or near the generator. Keep the area surrounding the generator clean and free from debris and keep a clearance of five (5) feet on all side to allow for proper ventilation of the generator.
- Do not insert objects through unit's cooling slots.
- **Do not** operate the generator if connected electrical devices overheat, if electrical output is lost, if engine or generator sparks or if flames or smoke are observed while unit is running.
- Keep a fire extinguisher near the generator at all times.

REGISTRATION

Register your product online at www.generac.com to receive important product information or updates.

MODEL NO:	
SERIAL NO:	

Generator Identification



General Information

1.1 UNPACKING

- Remove all packaging material.
- Remove separate accessory box.
- Remove carton off the generator.

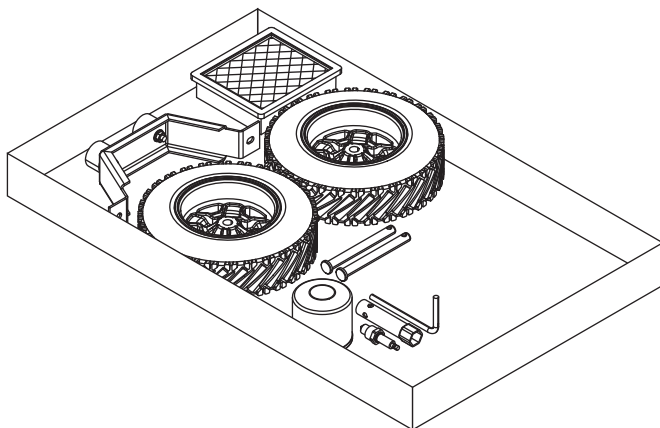
1.1.1 ACCESSORY BOX

Check all contents (Figure 1). If any parts are missing or damaged locate an authorized dealer at www.generac.com/DealerLocator.

Contents include:

- 1-Owner's manual
- 1-Frame Foot
- 2-Wheels
- 1-Hardware bag (containing the following):
 - 5-Flange Nuts
 - 2-Rubber Feet
 - 2-Short Bolts
 - 2-Cotter Pins
- 1-Axle
- 1-Handle with Grip
- 1-Plastic Spacer
- 1-Handle Bracket
- 3-Long Bolts
- 1-Handle Assembly
- 2-Long Curved Head Bolts
- 2-Acorn Nuts
- 2-Axle Pins
- 2-Washers
- 2-Flange Nuts (electric start only)
- 1-Battery Charger (electric start only)
- 1- Adapter Cable (see the "Adapter Cable, 50 Hz" section)

Figure 1 – Accessory Boxes



1.2 ASSEMBLY

Read entire Owner's Manual before attempting to assemble or operate the generator. The generator requires some assembly prior to using it. If problems arise when assembling the generator, please call an authorized dealer at www.generac.com/DealerLocator.

1.2.1 ASSEMBLING THE WHEEL KIT AND FRAME FOOT

The wheel kit is designed to greatly improve the portability of the generator. Refer to Figure 2 and install the wheel kit and frame foot as follows.

You will need the following tools to install the wheel kit:

- Pliers
- 13mm wrench
- 13mm socket wrench

NOTE:

The wheel kit is not intended for over-the-road use.

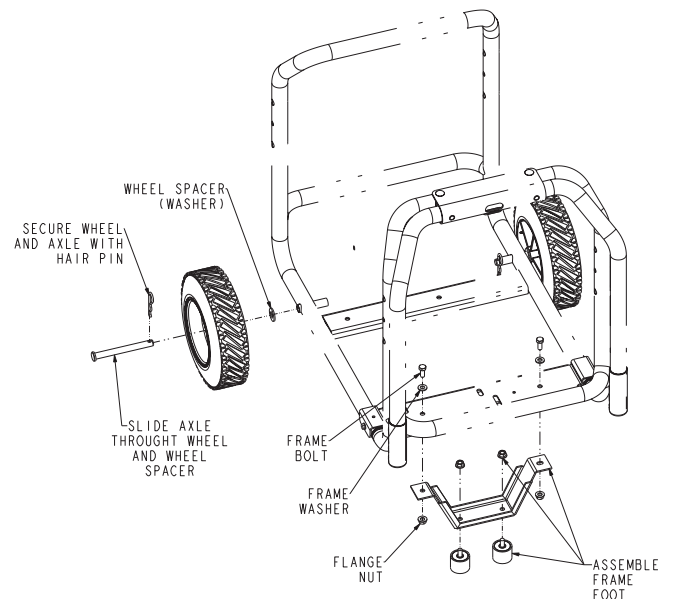
Wheels

- Slide the Axle Pin through the Wheel, Wheel Spacer (Washer) and the Frame.
- Install the Hair Pin to the Axle Pin to secure the wheel. Repeat for the opposite side.

Foot

- Secure the Vibration Mounts to the Frame Foot with the included locking nuts.
- To install the Frame Foot, install the Frame Bolts through the Frame Washers, Frame and Frame foot. Secure with the flange nuts.

Figure 2 – Wheel and Foot Assembly



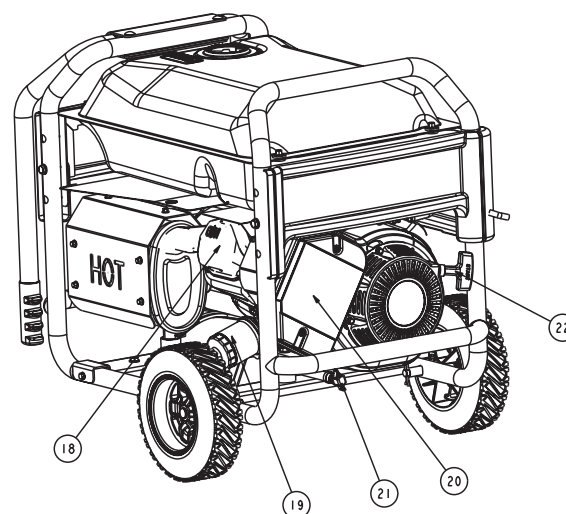
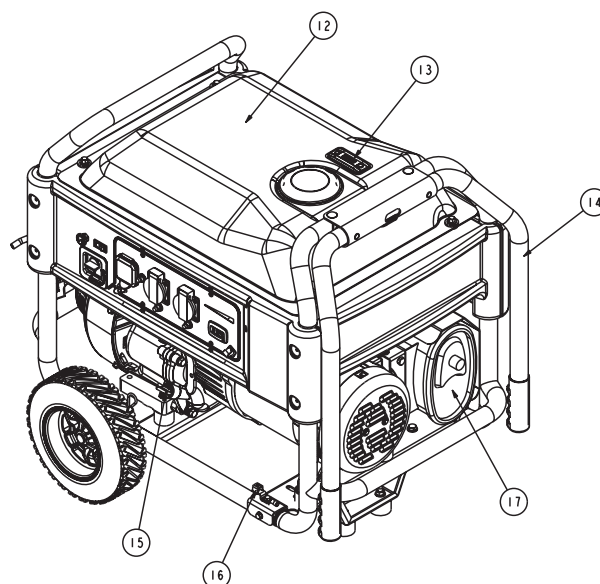
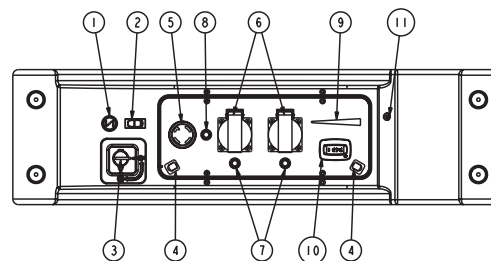
2.1 KNOW THE GENERATOR

Read the entire **Owner's Manual and Safety Rules** before operating this generator.

Compare the generator to Figures 3 through 6 to become familiarized with the locations of various controls and adjustments. Save this manual for future reference.

1. **Choke Knob** – Used when starting a cold engine (Pull/Push).
2. **Engine Switch** – Controls the operation of the generator. The switch is Start/Run/Stop.
3. **Fuel Shut Off** – Valve between fuel tank and carburetor. Turn off and run carburetor out of fuel for extended storage.
4. **Panel LED's** – Provide illumination of the control panel while the generator is operating.
5. **230 Volt AC, 30 Amp Locking Receptacle** – Supplies electrical power for the operation of 230 Volt AC, 30 Amp or 25 Amp, single-phase, 50 Hz, electrical lighting, appliances, tools and motor loads.
6. **230 Volt AC, 16 Amp, CEE 7/4, Type F Receptacle** – Supplies electrical power for the operation of 230 Volt AC, 16 Amp, single-phase, 50 Hz electrical lighting, appliances, tools and motor loads.
7. **Circuit Breakers (AC)** – Each 16 Amp receptacle is provided with a push-to-reset circuit breaker of the same rating to protect the generator against electrical overload.
8. **Circuit Breakers (AC)** – The 30 Amp receptacle is protected with a push-to-reset circuit breaker of the same rating to protect the generator against electrical overload.
9. **PowerBar** – Indicates the amount of power being used from the generator; each section is approximately 25%.
10. **Hourmeter** – Provides operating hours for Service Intervals.
11. **Battery Charger Input** – This receptacle allows the capability to recharge the 12 VDC engine starting battery with the 12 Volt Adaptor Plug Charger. The battery is protected by a 1.50 Amp in-line fuse which is inside the control panel.
12. **Fuel Tank** – See generator specifications for tank capacity.
13. **Fuel Gauge** – Shows fuel level in tank.
14. **Handles** – Pivot and retract for storage. Press the spring-loaded button to move handles.
15. **Oil Fill** – Check oil level and add oil here.
16. **Grounding Lug** – Ground the generator to an approved earth ground here. See "Grounding the Generator" for details.
17. **Muffler** – Includes the spark arrestor and quiets the engine.
18. **Spark Plug Location** – The spark plug ignites the Air/Fuel Mixture (Side panel must be removed).
19. **Engine Oil Filter** – Filters engine oil; see Section 3.1 for the proper service intervals.
20. **Air Filter** – Filters intake air as it is drawn into the engine.
21. **Oil Drain** – Drain valve to remove used oil from the engine crankcase.
22. **Recoil Starter** – Use to start engine manually.

Figure 3 – Generator Locations



Operation

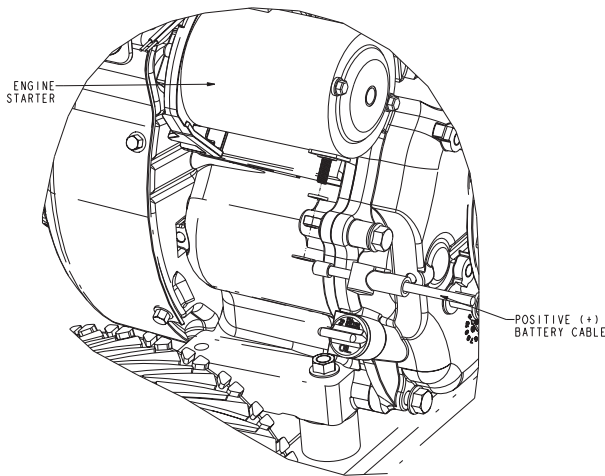
2.1.1 BATTERY CONNECTION

NOTE:

The battery shipped with the generator has been fully charged. A battery may lose some of its charge when not in use for prolonged periods of time. If the battery is unable to crank the engine, plug in the 12V charger included in the accessory box (see the Charging the Battery section). **RUNNING THE GENERATOR DOES NOT CHARGE THE BATTERY.**

The positive battery wire was deliberately left detached for shipping. To operate the unit, attach this wire to the terminal on the starter motor as shown. Do not overtighten. Slide the attached rubber boot over the starter terminal. See Figure 4.

Figure 4 – Battery Connection



2.2 HOURMETER

The Hourmeter tracks hours of operation for scheduled maintenance (see chart) (Figure 5).

Operation: Push and release the reset button to toggle between screens. The hours count backwards from the set interval as shown in the chart.

When the meter reaches 5 hours, the text "CHG OIL" (or "SVC AIR FILTER" or "CHG PLUG") will flash continually for two minutes. After this time, the meter will go back to displaying the total hours of the unit (for 2 minutes). This cycle will repeat for the entire 5 hours.

When the service interval reaches zero hours, the text "NOW" replaces the hours remaining.

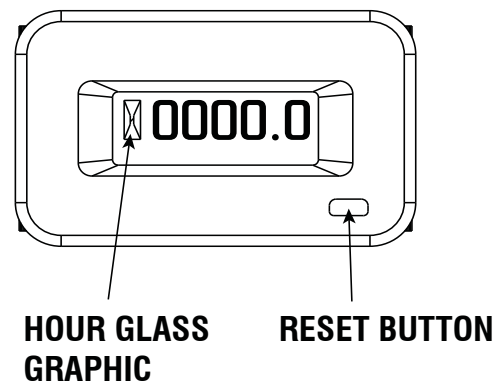
For a new generator for instance, the message will say "CHG OIL" then flash "in 30". This means that in 30 hours, the oil will need to be changed. Pressing the button a few more times will bring the meter back to the screen that shows the total hours run.

Reset: Toggle to the alert that you wish to reset then hold the button down for 9 seconds. The maintenance hours are reset when the display shows "0000.0".

Note:

The hour glass graphic will flash on and off when the engine is running. This signifies that the meter is tracking hours of operation.

Figure 5 – Hourmeter



2.3 CORD SETS AND CONNECTION PLUGS

2.3.1 230 VAC 16A, CEE 7/4, TYPE F RECEPTACLE

This is a 230 Volt outlet (Figure 6) protected against overload by a 16 Amp push-to-reset circuit breaker. Use each socket to power 230 Volt AC, single phase, 50 Hz electrical loads requiring up to a combined 3680 watts (3.7 kW) or 16 Amps of current. Use only high quality, well-insulated, 3-wire grounded cord sets rated for 230 Volts at 16 Amps (or greater).

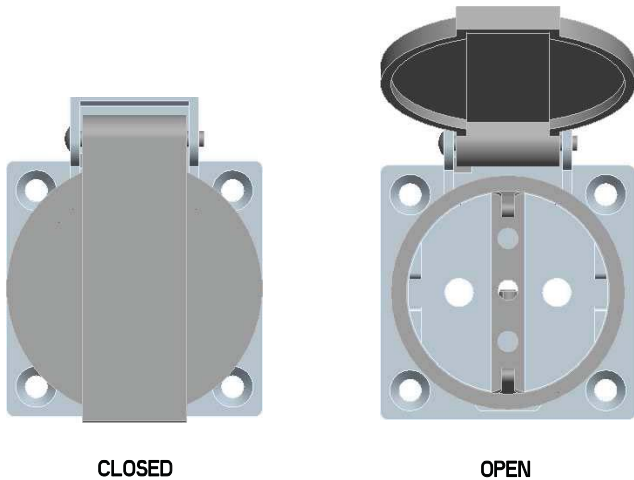
Keep extension cords as short as possible, preferably less than 5 meters long, to prevent voltage drop and possible overheating of wires.

Hourmeter Chart			
Message	Frequency of Message	Interval	Duration of message
CHG OIL	Initial break-in period	First 30 Hours	ON/OFF for 2 minutes in a 5 hour period
CHG OIL	Re-occurring	100 hours	
SVC AIR FILTER	Re-occurring	200 hours	
CHG PLUG	Re-occurring	200 hours	

2.3.2 230 VAC, 30 AMP RECEPTACLE

Use this receptacle (rotate to lock/unlock) to operate 230 Volt AC, 50 Hz, single phase loads requiring up to 5600 watts (5.6 kW), or 6400 watts (6.4 kW), of power depending on the model. The outlet is protected by a 25 or 30 Amp circuit breaker.

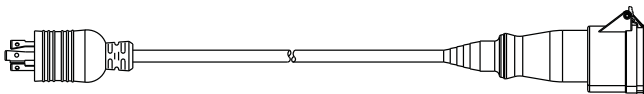
Figure 6 – Generator Receptacles



2.3.3 ADAPTER CABLE, 50 HZ (XG5600/XG6400 ONLY)

Included with this generator is an adapter cable that plugs into the 30 Amp Twistlock receptacle on the generator control panel on one end, and provides a 32 Amp IP44 CEE 2P+E socket on the other end (Figure 7).

Figure 7 – Adapter Cable



2.4 HOW TO USE THE GENERATOR

If there are any problems operating the generator, please call the authorized dealer at www.generac.com/DealerLocator.

⚠ DANGER!

- ⚠ Never operate in an enclosed area or indoors! NEVER use in the home, in a vehicle, or in partly enclosed areas such as garages, EVEN IF doors and windows are open! ONLY use outdoors and far from open windows, doors, vents, and in an area that will not accumulate deadly exhaust.
- ⚠ The engine exhaust fumes contain carbon monoxide, which you cannot see or smell. This poisonous gas, if breathed in sufficient concentrations, can cause unconsciousness or even death.
- ⚠ Adequate, unobstructed flow of cooling and ventilating air is critical to correct generator operation. Do not alter the installation or permit even partial blockage of ventilation provisions, as this can seriously affect safe operation of the generator. The generator MUST be operated outdoors.
- ⚠ This exhaust system must be properly maintained. Do nothing that might render the exhaust system unsafe or in noncompliance with any local codes and/or standards.
- ⚠ The manufacturer recommends installing a battery operated carbon monoxide alarm indoors, according to the manufacturers instructions.

⚠ DANGER

Using a generator indoors CAN KILL YOU IN MINUTES.

Generator exhaust contains carbon monoxide. This is a poison you cannot see or smell.



NEVER use inside a home or garage, EVEN IF doors and windows are open.



Only use OUTSIDE and far away from windows, doors, and vents.

Operation

2.4.1 SYSTEM GROUND

The generator has a system ground that connects the generator frame components to the ground terminals on the AC output receptacles.

Special Requirements

There may be federal, state, safety or health administration regulations, local codes, or ordinances that apply to the intended use of the generator.

Please consult a qualified electrician, electrical inspector, or the local agency having jurisdiction:

- In some areas, generators are required to be registered with local utility companies.
- If the generator is used at a construction site, there may be additional regulations which must be observed.

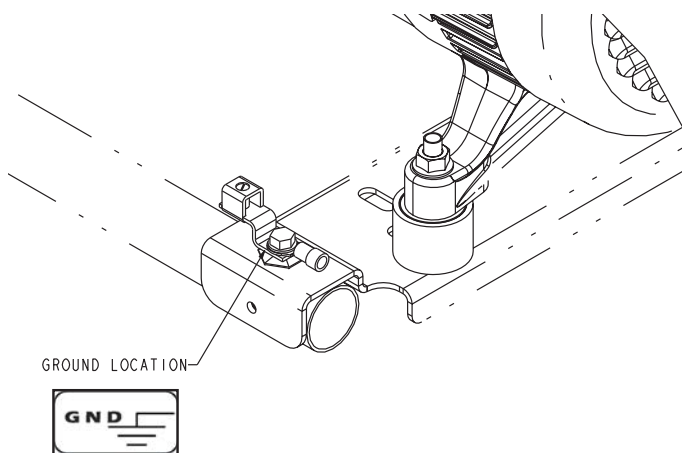
2.4.2 CONNECTING TO A BUILDING'S ELECTRICAL SYSTEM

Connections for standby power to a building's electrical system must be made by a qualified electrician. The connection must isolate the generator power from utility power or other alternative power sources and must comply with all applicable laws and electrical codes.

Grounding The Generator

Local electrical codes may require proper grounding of the unit (Figure 8). For that purpose, connecting a 2.59mm stranded copper wire to the grounding lug and to an earth-driven copper or brass grounding rod (electrode) provides adequate protection against electrical shock. However, local codes may vary widely. **Consult with a local electrician for grounding requirements in the area.**

Figure 8 – Generator Ground Location



2.4.3 CONNECTING ELECTRICAL LOADS

DO NOT connect 120 Volt loads to 230 Volt receptacles.

DO NOT connect 3 phase loads to the generator.

DO NOT connect 60 Hz loads to the generator.

- Let engine stabilize and warm up for a few minutes after starting.
- Plug in and turn on the desired 230 Volt AC, single phase, 50 Hz electrical loads.
- Add up the rated watts (or amps) of all loads to be connected at one time. This total should no be greater than (a) the rated wattage/ampere capacity of the generator or (b) circuit breaker rating of the receptacle supplying the power. See "Don't Overload the Generator"

2.5 DON'T OVERLOAD THE GENERATOR

Overloading a generator in excess of its rated wattage capacity can result in damage to the generator and to connected electrical devices. Observe the following to prevent overloading the unit:

- Add up the total wattage of all electrical devices to be connected at one time. This total should NOT be greater than the generator's wattage capacity.
- The rated wattage of lights can be taken from light bulbs. The rated wattage of tools, appliances and motors can usually be found on a data label or decal affixed to the device.
- If the appliance, tool or motor does not give wattage, multiply volts times ampere rating to determine watts (volts x amps = watts).
- Some electric motors, such as induction types, require about three times more watts of power for starting than for running. This surge of power lasts only a few seconds when starting such motors. Make sure to allow for high starting wattage when selecting electrical devices to connect to the generator:
 1. Figure the watts needed to start the largest motor.
 2. Add to that figure the running watts of all other connected loads.

2.6 BEFORE STARTING THE GENERATOR

Prior to operating the generator, engine oil and gasoline will need to be added, as follows:

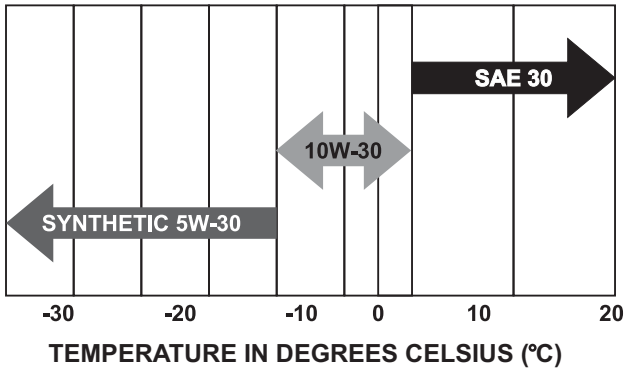
2.6.1 ADDING ENGINE OIL

Use no special additives. Select the oil's viscosity grade according to the expected operating temperature (also see chart).

- Above 4° C, use SAE 30
- Below 4° C and down to -12° F, use 10W-30
- Below -12° C, use synthetic 5W-30

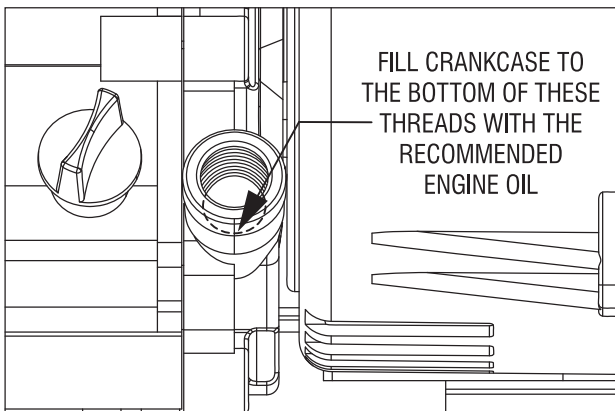
⚠ WARNING!

⚠ Any attempt to crank or start the engine before it has been properly serviced with the recommended oil may result in an engine failure.



1. Place generator on a level surface (not to exceed 15° in any direction).
2. Clean area around oil fill and remove oil fill cap.
3. Slowly fill engine with oil through the oil fill opening until it reaches the full mark. Stop filling occasionally to check oil level. (Engine oil is full when level is up to the threads of the oil fill plug, see Figure 9.)
4. Install oil fill cap and finger tighten securely.
5. Check engine oil level before starting each time thereafter.

Figure 9 – Oil Level



2.6.2 ADDING GASOLINE

⚠ DANGER!

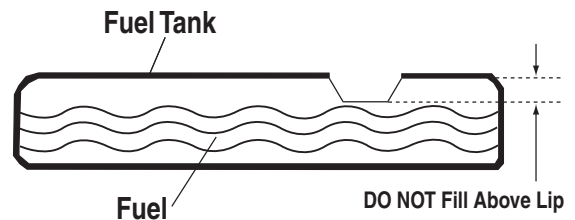
NEVER fill fuel tank indoors. Avoid spilling gasoline on hot engine. Allow engine to cool entirely before adding fuel. **NEVER** fill fuel tank when engine is running or hot. **DO NOT** light a cigarette or smoke when filling the fuel tank. Gasoline is highly flammable and its vapors are **EXPLOSIVE**.

Do not overfill the fuel tank. Always leave room for fuel expansion. If the fuel tank is overfilled, fuel can over flow onto a hot engine and cause fire or an explosion. Wipe up any spilled fuel immediately.

1. Use regular UNLEADED gasoline with the generator engine. Do not use premium gasoline. Do not mix oil with gasoline.
2. Clean area around fuel fill cap, remove cap.
3. Slowly add unleaded regular gasoline to fuel tank. Fill to bottom of screen filter. **Be careful not to overfill** (Figure 10).
4. Install fuel cap and wipe up any spilled gasoline.

IMPORTANT: It is important to prevent gum deposits from forming in fuel system parts such as the carburetor, fuel hose or tank during storage. Alcohol-blended fuels (called gasohol, ethanol or methanol) can attract moisture, which leads to separation and formation of acids during storage. Acidic gas can damage the fuel system of an engine while in storage. To avoid engine problems, the fuel system should be emptied before storage of 30 days or longer. See the "Storage" section. Never use engine or carburetor cleaner products in the fuel tank as permanent damage may occur.

Figure 10 - Fuel Tank



2.7 TO START THE ENGINE

Never start or stop engine with electrical devices plugged into the receptacles AND devices turned on.

1. Unplug all electrical loads from the unit's receptacles before starting the engine.
2. Make sure the unit is in a level position (not to exceed 15° in any direction).
3. Open the fuel shut-off valve (Figure 11).
4. Pull engine CHOKE knob outward to "Full Choke" position (Figure 12).

Figure 11 – Fuel Shut-off Valve

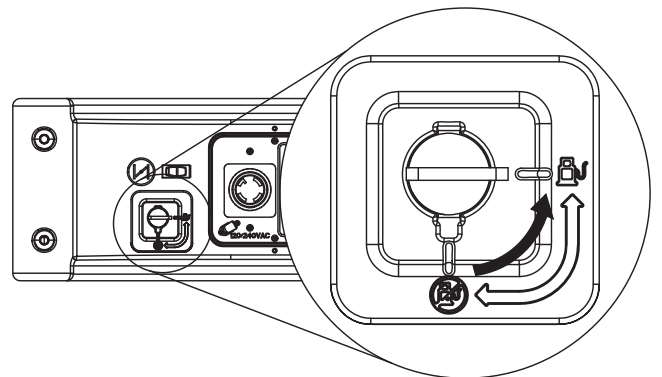
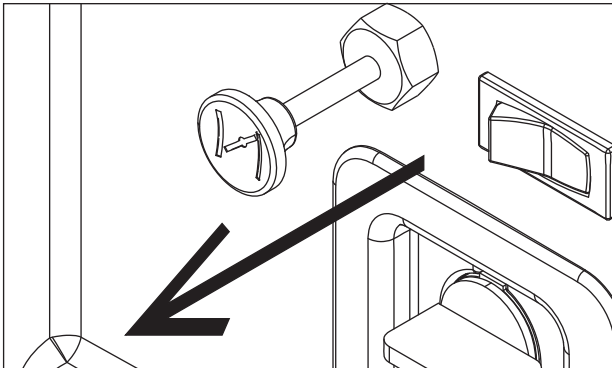


Figure 12 – Choke Operation



2.7.1 MANUAL (RECOIL) STARTING

1. To start the generator, put the Start/Run/Stop switch in the RUN position.
2. Firmly grasp the recoil handle and pull slowly until increased resistance is felt. Pull rapidly up and away to start engine.
3. When the engine starts, push choke knob to “1/2 Choke” position until the engine runs smoothly and then fully in to the “Run” position. If engine falters, pull choke knob back out to “1/2 Choke” position until the engine runs smoothly and then to “Run” position.

NOTE:

If engine fires, but does not continue to run, pull choke knob to “Full Choke” and repeat starting instructions.

2.7.2 ELECTRIC STARTING

1. To start the engine, press and hold the Start/Run/Stop switch in the “Start” position. The engine will crank and attempt to start. When the engine starts, release the switch to the run position.
2. When the engine starts, push choke knob to “1/2 Choke” position until the engine runs smoothly and then fully in to the “Run” position. If engine falters, pull choke knob back out to “1/2 Choke” position until the engine runs smoothly and then to “Run” position.
3. This generator is also equipped with a manual recoil starter which may be used if the battery is discharged.

NOTE:

The switch must be in the RUN position.

2.8 STOPPING THE ENGINE

1. Shut off all loads, then unplug the electrical loads from generator panel receptacles. Never start or stop the engine with electrical devices plugged in and turned on.
2. Let engine run at no-load for several minutes to stabilize the internal temperatures of engine and generator.
3. Move Start/Run/Stop switch to the “Stop” position.
4. Close fuel valve.

2.9 LOW OIL PRESSURE SHUTDOWN SYSTEM

The engine is equipped with a low oil pressure sensor that shuts down the engine automatically when the oil pressure drops below 5 psi. A delay built into the low oil shutdown system allows oil pressure to build during starting. The delay allows the engine to run for about 10 seconds before sensing oil pressure. If the engine shuts down by itself and the fuel tank has enough gasoline, check engine oil level.

2.9.1 RESTARTING

If trying to restart the engine within 10 seconds after it shuts down, the engine may NOT start. The system needs 5 to 10 seconds to reset.

If the engine is restarted after such a shutdown and the low oil pressure has not been corrected, the engine will run for about 10 seconds as described above and then stop.

2.10 CHARGING THE BATTERY (ELECTRIC START UNITS ONLY)

⚠ DANGER!

⚠ Storage batteries give off explosive hydrogen gas while recharging. An explosive mixture will remain around the battery for a long time after it has been charged. The slightest spark can ignite the hydrogen and cause an explosion. Such an explosion can shatter the battery and cause blindness or other serious injury.

⚠ DANGER!

⚠ Do not permit smoking, open flame, sparks or any other source of heat around a battery. Wear protective goggles, rubber apron and rubber gloves when working around a battery. Battery electrolyte fluid is an extremely corrosive sulfuric acid solution that can cause severe burns. If spill occurs flush area with clear water immediately.

NOTE:

The battery shipped with the generator has been fully charged. A battery may lose some of its charge when not in use for prolonged periods of time. If the battery is unable to crank the engine, plug in the 12V charger included in the accessory box. RUNNING THE GENERATOR DOES NOT CHARGE THE BATTERY.

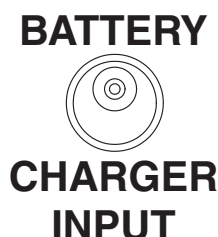
Use battery charger plug to keep the battery charged and ready for use. Battery charging should be done in a dry location.

1. Plug charger into “Battery Charger Input” jack, located on the control panel. Plug wall receptacle end of the battery charger into a 230 Volt AC wall outlet.
2. Unplug battery charger from wall outlet and control panel jack when generator is going to be in use.

NOTE:

Do not use the battery charger for more than 48 hours at one charge.

Figure 13 - Battery Charger Jack



** Operating temperature range: 18° C (0° F) to 40° C (104° F). When operating above 25° C (77° F), there may be a decrease in engine power.

** Maximum wattage and current are subject to, and limited by, such factors as fuel Btu content, ambient temperature, altitude, engine condition, etc.. Maximum power decreases about 3.5% for each 305 meters (1,000 feet) above sea level.

3.2.2 ENGINE SPECIFICATIONS

Displacement.....	407cc
Spark Plug Type.....	Champion RC14YC or Equivalent
Spark Plug Part No.	0E7585
Spark Plug Gap.....	0.76 mm
Gasoline Capacity.....	34.07 Liters
Oil Type.....	See Chart in "Adding Engine Oil" Section
Oil Capacity.....	w/ Filter Change = 1.42 Liters
	w/o Filter Change = 1.136 Liters
Oil Filter Part No.	070185B
Run Time/Fuel Consumption-1/2 Load	10 Hours / 3.4 Liters per hour

3.1 MAINTENANCE SCHEDULE

Follow the calendar intervals. More frequent service is required when operating in adverse conditions noted below.

Check Oil Level	At Each Use
Change Oil and Oil Filter‡	*Every Season/Every 100 Hours
Clean Spark Arrestor Screen	**Every Season/Every 100 Hours
Service Air Filter	**Every Season/Every 200 Hours
Replace Spark Plug	Every Season

- ‡ Change oil after first 30 hours of operation then every season.
- * Change oil and oil filter every month when operating under heavy load or in high temperatures.
- ** Clean more often under dirty or dusty operating conditions. Replace air filter parts if very dirty.

3.2 PRODUCT SPECIFICATIONS

3.2.1 GENERATOR SPECIFICATIONS

Model

Rated Max. Power.....	5.6 kW**
Surge Power.....	8400W
Rated AC Voltage.....	230
Rated Max AC Load	
Current @ 230V.....	24.3 Amps**
Rated Frequency.....	50 Hz @ 3000 RPM
Phase.....	Single Phase
Rated DC Voltage.....	12 Volts
Battery Type.....	10 AH, 12VDC

Model

Rated Max. Power.....	6.4 kW**
Surge Power.....	9600W
Rated AC Voltage.....	230
Rated Max AC Load	
Current @ 230V.....	27.8 Amps**
Rated Frequency.....	50 Hz @ 3000 RPM
Phase.....	Single Phase
Rated DC Voltage.....	12 Volts
Battery Type.....	10 AH, 12VDC

3.3 GENERAL RECOMMENDATIONS

The warranty of the generator does not cover items that have been subjected to operator abuse or negligence. To receive full value from the warranty, the operator must maintain the generator as instructed in this manual.

Some adjustments will need to be made periodically to properly maintain the generator.

All adjustments in the Maintenance section of this manual should be made at least once each season. Follow the requirements in the "Maintenance Schedule".

NOTE:

Once a year replace the spark plug and replace the air filter. A new spark plug and clean air filter assure proper fuel-air mixture and help the engine run better and last longer.

3.3.1 GENERATOR MAINTENANCE

Generator maintenance consists of keeping the unit clean and dry. Operate and store the unit in a clean dry environment where it will not be exposed to excessive dust, dirt, moisture or any corrosive vapors. Cooling air slots in the generator must not become clogged with snow, leaves, or any other foreign material.

Check the cleanliness of the generator frequently and clean when dust, dirt, oil, moisture or other foreign substances are visible on its exterior surface.

▲ CAUTION!

! Never insert any object or tool through the air cooling slots, even if the engine is not running.

NOTE:

DO NOT use a garden hose to clean generator. Water can enter the engine fuel system and cause problems. In addition, if water enters the generator through cooling air slots, some water will be retained in voids and crevices of the rotor and stator winding insulation. Water and dirt buildup on the generator internal windings will eventually decrease the insulation resistance of these windings.

Maintenance

3.3.2 TO CLEAN THE GENERATOR

- Use a damp cloth to wipe exterior surfaces clean.
- A soft, bristle brush may be used to loosen caked on dirt, oil, etc.
- A vacuum cleaner may be used to pick up loose dirt and debris.
- Low pressure air (not to exceed 25 psi) may be used to blow away dirt. Inspect cooling air slots and openings on the generator. These openings must be kept clean and unobstructed.

3.3.3 ENGINE MAINTENANCE

⚠ CAUTION!

- ⚠ **When working on the generator, always disconnect negative cable from battery. Also disconnect spark plug wire from spark plug and keep wire away from spark plug.**

3.3.4 CHECKING OIL LEVEL

See the “BEFORE STARTING THE GENERATOR” section for information on checking the oil level. The oil level should be checked before each use, or at least every eight hours of operation. Keep the oil level maintained.

3.3.5 CHANGING THE OIL AND OIL FILTER

Change the oil and filter after the first 30 hours of operation. Change the oil every 100 hours or every season thereafter. If running this unit under dirty or dusty conditions, or in extremely hot weather, change the oil more often.

⚠ DANGER!

- ⚠ **Hot oil may cause burns. Allow engine to cool before draining oil. Avoid prolonged or repeated skin exposure with used oil. Thoroughly wash exposed areas with soap.**

Use the following instructions to change the oil:

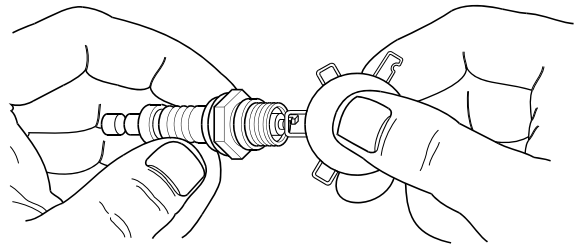
1. Clean area around oil drain cap.
2. Remove oil drain cap from the drain hose and oil fill plug to drain oil completely into a suitable container.
3. When oil has completely drained, install oil drain cap and tighten securely.
4. Place a suitable container beneath the oil filter and turn filter counterclockwise to remove. Discard according to local regulations.
5. Coat gasket of new filter with clean engine oil. Turn filter clockwise until gasket contacts lightly with filter adapter. Then tighten an additional 3/4 turn.
6. Fill oil sump with recommended oil and replace the oil fill plug. (See “Before Starting the Generator” for oil recommendations).
7. Wipe up any spilled oil.
8. Dispose of used oil at a proper collection center.

3.3.6 REPLACING THE SPARK PLUG

Use Champion RC14YC spark plug or equivalent. **Replace the plug once each year.** This will help the engine start easier and run better.

1. Stop the engine and pull the spark plug wire off of the spark plug.
2. To gain access, remove the four (4) socket head screws and take off the side panel.
3. Clean the area around the spark plug and remove it from the cylinder head.
4. Set the spark plug's gap to .76 mm. Install the correctly gapped spark plug into the cylinder head (Figure 14).
5. Push the boot firmly on the spark plug and install side panel.

Figure 14 – Spark Plug Gap



3.4 SERVICE AIR FILTER

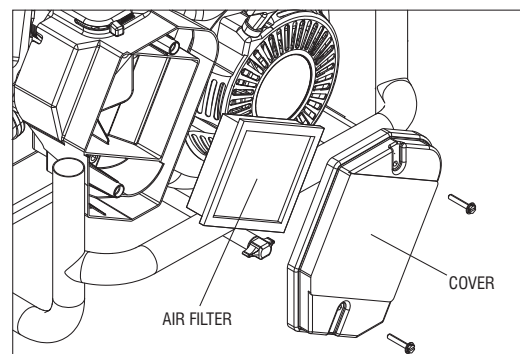
The engine will not run properly and may be damaged if using a dirty air filter. Clean or replace the air filter paper filter every 200 hours or once a year (Figure 15). Clean or replace more often if operating under dusty conditions. To clean or replace paper air filter:

1. Remove air filter cover and remove paper filter (Figure 15).
2. Clean paper filter by tapping it gently on a solid surface. If the filter is too dirty, replace it with a new one. Dispose of the old filter properly.
3. Clean air filter cover. Next insert new paper filter into the base of the air filter. Re-install air filter cover.

NOTE:

To order a new air filter, please contact the nearest authorized service center at www.generac.com/Dealer Locator. The air filter part number is 073111.

Figure 15 – Air Filter



3.5 CLEAN SPARK ARRESTOR SCREEN

The engine exhaust muffler has a spark arrestor screen. Inspect and clean the screen at least once each year (Figure 16). If unit is used regularly, inspect and clean more often.

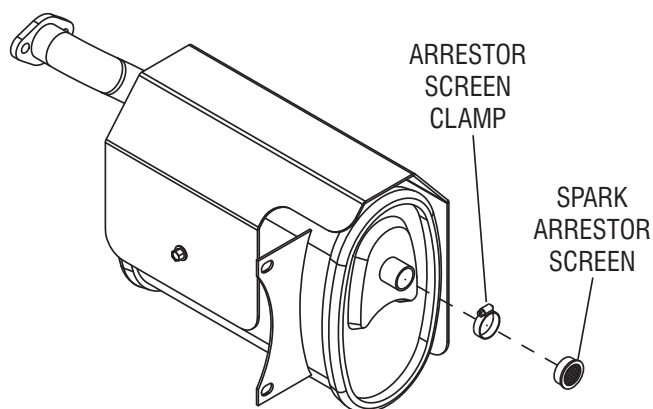
⚠ DANGER!

⚠ If using the generator on any forest-covered, brush-covered or grass-covered unimproved land, it must be equipped with a spark arrestor. The spark arrestor must be maintained in good condition by the owner/operator.

Clean and inspect the spark arrestor when the engine is at ambient temperature as follows:

1. Loosen the clamp and remove the spark arrestor screen from the muffler.
2. Inspect screen and replace if torn, perforated or otherwise damaged. DO NOT USE a defective screen. If screen is not damaged, clean it with commercial solvent.
3. Replace the spark arrestor and secure with the clamp.

Figure 16 – Spark Arrestor Screen



3.6 GENERAL

The generator should be started at least once every 30 days and be allowed to run at least 30 minutes. If this cannot be done and the unit must be stored for more than 30 days, use the following information as a guide to prepare it for storage.

⚠ DANGER!

⚠ NEVER store engine with fuel in tank indoors or in enclosed, poorly ventilated areas where fumes may reach an open flame, spark or pilot light as on a furnace, water heater, clothes dryer or other gas appliance.

⚠ Allow unit to cool entirely before storage.

3.7 LONG TERM STORAGE

It is important to prevent gum deposits from forming in essential fuel system parts such as the carburetor, fuel hose or tank during storage. Also, experience indicates that alcohol-blended fuels (called gasohol, ethanol or methanol) can attract moisture, which leads to separation and formation of acids during storage. Acidic gas can damage the fuel system of an engine while in storage.

To avoid engine problems, the fuel system should be emptied before storage of 30 days or longer, as follows:

1. Add a quality gasoline stabilizer to the fuel per the manufacturers specifications, and run the unit for 10-15 minutes.
2. After engine cools down, remove all gasoline from the fuel tank. Use a commercially available, non-conductive vacuum siphon.

⚠ DANGER!

⚠ Drain fuel into approved container outdoors, away from open flame. Be sure engine is cool. Do not smoke.

3. Start and run engine until engine stops from lack of fuel.
4. After engine cools down, drain oil from engine. Refill with recommended grade.
5. Remove spark plug and pour about 1/2 ounce (15 ml) of engine oil into the cylinder. Cover spark plug hole with rag. Pull the recoil starter a couple times to lubricate the piston rings and cylinder bore. A fogging agent can also be used in the place of oil.

⚠ CAUTION!

⚠ Avoid spray from spark plug hole when cranking engine.

6. Install and tighten spark plug. Do not connect spark plug wire.
7. Clean the generator outer surfaces. Check that cooling air slots and openings on generator are open and unobstructed.
8. Store the unit in a clean, dry place.

3.8 OTHER STORAGE TIPS

- Do not store gasoline from one season to another.
- Replace any gasoline can that starts to rust. Rust and/or dirt in the gasoline will cause problems with the carburetor and fuel system.
- If possible, store the unit indoors and cover it to give protection from dust and dirt. Cover the unit with a suitable protective cover that does not retain moisture.
- **BE SURE TO EMPTY THE FUEL TANK.** If it is not practical to empty the fuel tank and the unit is to be stored for some time, use a commercially available fuel stabilizer added to the gasoline to increase the life of the gasoline.

⚠ CAUTION!

⚠ NEVER cover the generator while engine and exhaust area are warm.

Battery Service

4.1 BATTERY REPLACEMENT

NOTE:

The battery shipped with the generator has been fully charged. A battery may lose some of its charge when not in use for prolonged periods of time. If the battery is unable to crank the engine, plug in the 12V charger included in the accessory box (see the Charging a Battery section). **RUNNING THE GENERATOR DOES NOT CHARGE THE BATTERY.**

The battery shipped with the generator has been provided fully charged. To replace the battery (See Figure 17):

1. Remove the side panel as shown. Remove the four bolts securing the fuel tank.
2. Turn the fuel valve on the control panel to the "OFF" position. Pull the fuel tank back slightly and remove the fuel hose that runs from the engine to the fuel valve.

⚠ CAUTION!

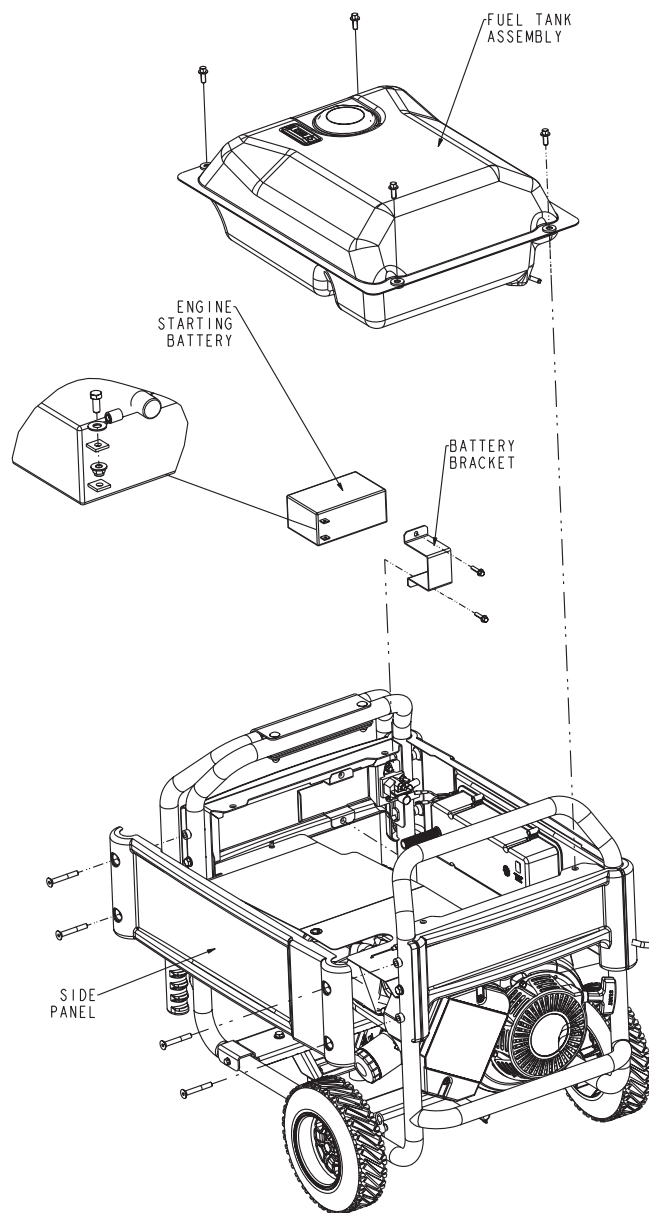
⚠ Drain fuel into approved container outdoors, away from open flame. Be sure engine is cool. Do not smoke in the vicinity or light a cigarette.

3. Push the fuel valve from the control panel and remove the fuel tank.
4. Remove the battery wire connections (black wire first) and the battery hold-down bracket.
5. Replace the battery, connecting the RED wire to the POSITIVE (+) terminal and the BLACK wire to the NEGATIVE (-) terminal

NOTE:

Start all four screws on the side panel before tightening or it may not be possible to get all the screws in place.

Figure 17 – Battery Removal



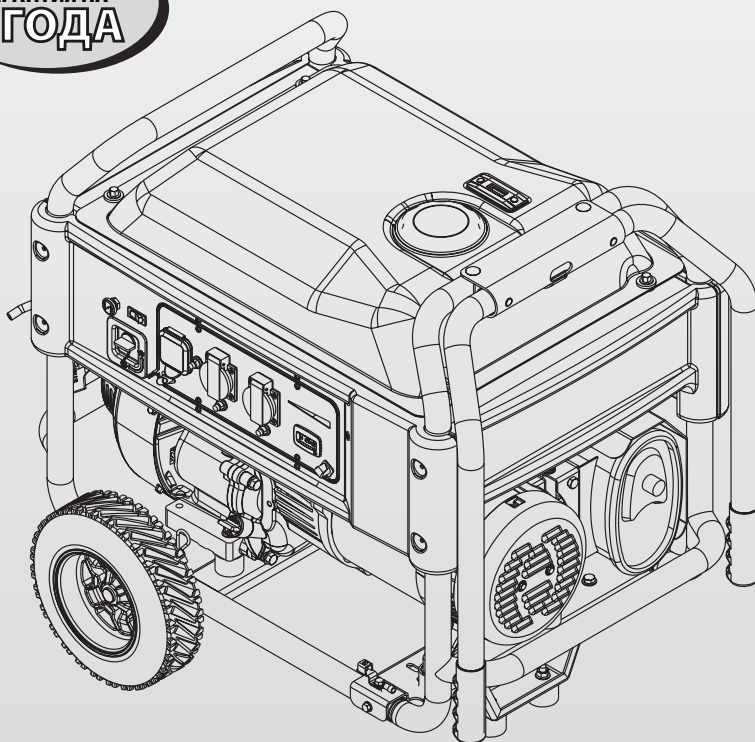
5.1 TROUBLESHOOTING GUIDE

PROBLEM	CAUSE	CORRECTION
Engine is running, but no AC output is available.	<ol style="list-style-type: none"> 1. Circuit breaker is open. 2. Poor connection or defective cord set. 3. Connected device is bad. 4. Fault in generator. 	<ol style="list-style-type: none"> 1. Reset circuit breaker. 2. Check and repair. 3. Connect another device that is in good condition. 4. Contact Authorized Service Facility.
Engine runs good but bogs down when loads are connected.	<ol style="list-style-type: none"> 1. Short circuit in a connected load. 2. Generator is overloaded. 3. Engine speed is too slow. 4. Shorted generator circuit. 	<ol style="list-style-type: none"> 1. Disconnect shorted electrical load. 2. See "Don't Overload the Generator" . 3. Contact Authorized Service Facility. 4. Contact Authorized Service Facility.
Engine will not crank.	<ol style="list-style-type: none"> 1. Battery weak or dead. 	<ol style="list-style-type: none"> 1. Recharge or replace battery (see "No Battery Charger DC output" at bottom of guide). 2. Start engine manually using recoil starter.
Engine will not start; or starts and runs rough.	<ol style="list-style-type: none"> 1. Fuel shut-off is OFF. 2. Dirty air filter. 3. Out of gasoline. 4. Stale gasoline. 5. Spark plug wire not connected to spark plug. 6. Bad spark plug. 7. Water in gasoline. 8. Over-choking. 9. Low oil level. 10. Excessive rich fuel mixture. 11. Intake valve stuck open or closed. 12. Engine has lost compression. 	<ol style="list-style-type: none"> 1. Turn Fuel shut-off ON. 2. Clean or replace air filter. 3. Fill fuel tank. 4. Drain fuel tank and fill with fresh fuel. 5. Connect wire to spark plug. 6. Replace spark plug. 7. Drain fuel tank; fill with fresh fuel. 8. Put choke knob to No Choke position. 9. Fill crankcase to proper level. 10. Contact Authorized Service Facility. 11. Contact Authorized Service Facility. 12. Contact Authorized Service Facility.
Engine shuts down during operation.	<ol style="list-style-type: none"> 1. Out of gasoline. 2. Low oil level. 3. Fault in engine. 	<ol style="list-style-type: none"> 1. Fill fuel tank. 2. Fill crankcase to proper level. 3. Contact Authorized Service Facility.
Engine lacks power.	<ol style="list-style-type: none"> 1. Load is too high. 2. Dirty air filter. 3. Engine needs to be serviced. 	<ol style="list-style-type: none"> 1. See "Don't Overload the Generator". 2. Replace air filter. 3. Contact Authorized Service Facility.
Engine "hunts" or falters.	<ol style="list-style-type: none"> 1. Choke is opened too soon. 2. Carburetor is running too rich or too lean. 	<ol style="list-style-type: none"> 1. Move choke to halfway position until engine runs smoothly. 2. Contact Authorized Service Facility.
No Battery Charger DC output.	<ol style="list-style-type: none"> 1. Battery posts are corroded. 2. Battery cable is bad. 3. Battery is defective. 4. Receptacle is bad. 5. Battery Charger in-line fuse (1.5A) melted open. 	<ol style="list-style-type: none"> 1. Clean battery posts. 2. Replace cable. 3. Check battery condition; replace if defective. 4. Contact Authorized Service Facility. 5. Replace fuse with identical 1.5A replacement fuse only (located inside control panel).

Руководство пользователя

Передвижной генератор серии XG (5600–6400 Вт, 50 Гц)

ОГРАНИЧЕННАЯ
ГАРАНТИЯ НА
2 ГОДА



⚠ ОПАСНОСТЬ!

- ⚠ **ВЫХЛОПНЫЕ ГАЗЫ ОПАСНЫ ДЛЯ ЖИЗНИ!**
Использовать **ТОЛЬКО ВНЕ ПОМЕЩЕНИЙ** подальше от окон, дверей и вентиляции!
- ⚠ **АГРЕГАТ НЕ ПРЕДНАЗНАЧЕН ДЛЯ ЖИЗНЕОБЕСПЕЧЕНИЯ ПРИ КРИТИЧЕСКИХ СОСТОЯНИЯХ.**
- ⚠ **СОХРАНИТЕ** это руководство. Предоставляйте это руководство каждому оператору, работающему с генератором.

Содержание

Введение	1
Внимательно ознакомьтесь с этим руководством	1
Правила техники безопасности	1
Регистрация	3
Общая информация	4
1.1 Вскрытие упаковки.....	4
1.1.1 Коробка с принадлежностями	4
1.2 Сборка	4
1.2.1 Сборка комплекта колес и ножи шасси	4
Эксплуатация	5
2.1 Ознакомление с генератором.....	5
2.1.1 Подключение аккумуляторной батареи.....	6
2.2 Счетчик моточасов.....	6
2.3 Шнуровые комплекты и штепселя	6
2.3.1 Розетка CEE 7/4, тип F, на 230В перем. тока 16 А	6
2.3.2 Розетка на 230В перем. тока 30 А	7
2.3.3 Кабельпереходника, 50 Гц (только для моделей XG5600/XG6400)	7
2.4 Инструкции по эксплуатации генератора.....	7
2.4.1 Рабочее заземление	8
2.4.2 Подключение к электросети здания.....	8
2.4.3 Подключение электрических нагрузок	8
2.5 Не перегружайте генератор	8
2.6 Действия перед запуском генератора.....	8
2.6.1 Заправка моторным маслом.....	8
2.6.2 Заправка бензином	9
2.7 Запуск двигателя	9
2.7.1 Ручной запуск.....	10
2.7.2 Электрический запуск.....	10
2.8 Остановка двигателя	10
2.9 Выключение системы при низком давлении масла.....	10
2.9.1 Перезапуск	10
2.10 Зарядка аккумуляторной батареи (только для агрегатов с электрическим запуском)	10

Обслуживание генератора	11
3.1 Расписание технического обслуживания	11
3.2 Технические характеристики продукции	11
3.2.1 Технические характеристики генератора	11
3.2.2 Технические характеристики двигателя.....	11
3.3 Общие рекомендации	11
3.3.1 Техническое обслуживание генератора	11
3.3.2 Очистка генератора	12
3.3.3 Техническое обслуживание двигателя	12
3.3.4 Проверка уровня масла	12
3.3.5 Замена масла и масляного фильтра.....	12
3.3.6 Замена свечи зажигания.....	12
3.4 Обслуживание воздушного фильтра	12
3.5 Очистка сетки искрогасителя	13
3.6 Общие сведения	13
3.7 Длительное хранение.....	13
3.8 Другие полезные советы по хранению	13
Обслуживание аккумуляторной батареи	14
4.1 Замена аккумуляторной батареи	14
Поиск и устранение неисправностей	15
5.1 Руководство по поиску и устранению неисправностей	15

ВВЕДЕНИЕ

Благодарим за покупку этой модели от Generac Power Systems, Inc. Данная модель – это работающий от двигателя, компактный, высокопроизводительный генератор с воздушным охлаждением, предназначенный для подачи электрического питания с целью управления электронагрузкой при отсутствии доступного энергоснабжения или в случае прекращения последнего из-за нарушений в цепи.

ВНИМАТЕЛЬНО ОЗНАКОМЬТЕСЬ С ЭТИМ РУКОВОДСТВОМ

Если какая-либо часть будет непонятна, свяжитесь с ближайшим авторизованным дилером, чтобы получить информацию о процедурах запуска, эксплуатации и обслуживания.

Оператор ответственен за правильное и безопасное использование оборудования. Мы настоятельно рекомендуем оператору перед использованием оборудования ознакомиться с руководством и тщательно изучить все инструкции. Мы также настоятельно рекомендуем проинструктировать остальных пользователей о надлежащем запуске и эксплуатации агрегата. Это послужит для них подготовкой на случай экстренной ситуации, когда может потребоваться работать с оборудованием.

Генератор сможет работать безопасно, эффективно и надежно, только если он правильно установлен и эксплуатируется должным образом, а также для него проводится надлежащее техническое обслуживание. Выполните следующие инструкции до начала эксплуатации или обслуживания генератора.

- Ознакомьтесь и строго придерживайтесь всех местных, государственных и национальных норм и правил.
- Тщательно изучите все предупреждения по технике безопасности, содержащиеся в этом руководстве и относящиеся к продукту.
- Перед началом использования ознакомьтесь с этим руководством и агрегатом.

Производитель не может предположить все возможные опасные обстоятельства. Следовательно, предупреждения в этом руководстве, а также на ярлыках и бирках, прикрепленных к агрегату, не являются всеохватывающими. При использовании процедуры, технологии работы или способов эксплуатации, которые в частности не рекомендуются производителем, убедитесь в безопасности окружающих. Также убедитесь, что используемая процедура, технология работы или способы эксплуатации не нарушают безопасности генератора.

СОДЕРЖАЩАЯСЯ ЗДЕСЬ ИНФОРМАЦИЯ ОСНОВЫВАЕТСЯ НА МАШИНАХ В СЕРИЙНОМ ПРОИЗВОДСТВЕ НА МОМЕНТ ПУБЛИКАЦИИ. КОМПАНИЯ GENERAC СОХРАНЯЕТ ЗА СОБОЙ ПРАВО В ЛЮБОЕ ВРЕМЯ ВНОСИТЬ ИЗМЕНЕНИЯ В ЭТО РУКОВОДСТВО.

ПРАВИЛА ТЕХНИКИ БЕЗОПАСНОСТИ

В этом издании, на ярлыках и бирках, прикрепленных к генератору, используются блоки с надписями «ОПАСНОСТЬ!», «ПРЕДУПРЕЖДЕНИЕ», «ОСТОРОЖНО!» и «ПРИМЕЧАНИЕ» со специальными инструкциями для персонала по выполнению определенных операций, которые в случае неправильного или халатного выполнения могут нести опасность. Старательно их выполняйте. Определения блоков с надписями представлены ниже.

ОПАСНОСТЬ!

УКАЗЫВАЕТ НА ОПАСНУЮ СИТУАЦИЮ ИЛИ ДЕЙСТВИЕ, КОТОРОЕ, ЕСЛИ НЕ ИЗБЕЖАТЬ, ПРИВЕДЕТ К СМЕРТИ ИЛИ СЕРЬЕЗНОЙ ТРАВМЕ.

ПРЕДУПРЕЖДЕНИЕ!

Указывает на опасную ситуацию или действие, которое, если не избежать, может привести к смерти или серьезной травме.

ОСТОРОЖНОСТЬ!


Указывает на опасную ситуацию или действие, которое, если не избежать, может привести к травме легкой и средней тяжести.

ПРИМЕЧАНИЕ.

Примечания содержат важную для процедуры дополнительную информацию и расположены по тексту этого руководства.

Эти предупреждения об осторожности не могут полностью исключить те опасности, на которые указывают. Для предотвращения происшествий существенно важно руководствоваться здравым смыслом и строго выполнять специальные инструкции при выполнении действия или обслуживании.

Блоки «ОПАСНОСТЬ!», «ПРЕДУПРЕЖДЕНИЕ» и «ОСТОРОЖНО!» сопровождаются четырьмя обычно используемыми знаками безопасности. Тип информации для каждого знака представлен ниже.

 **Этот символ указывает на важную информацию по технике безопасности, несоблюдение которой подвергает риску личную безопасность и/или имущество окружающих.**

 **Этот символ указывает на опасность возможного взрыва.**

 **Этот символ указывает на опасность возникновения пожара.**

 **Этот символ указывает на опасность поражения электрическим током.**

ОБЩИЕ ОПАСНОСТИ

- ЗАПРЕЩАЕТСЯ работать в огороженном месте, в транспортном средстве или в помещении ДАЖЕ С открытыми дверьми и окнами.
- В целях безопасности производитель рекомендует проводить техническое обслуживание оборудования только у авторизованного дилера. Регулярно проводите осмотр генератора; для проведения необходимого ремонта или замены деталей свяжитесь с ближайшим авторизованным дилером.
- Эксплуатируйте генератор, только расположив его на ровных поверхностях и в месте без чрезмерной влажности, грязи, пыли или коррозионных испарений.
- Берегите руки, ноги, одежду и т. д. от приводных ремней, вентиляторов и других движущихся частей. Запрещается снимать какие-либо защитные приспособления вентилятора при работающем агрегате.
- Некоторые части генератора при работе очень сильно нагреваются. Держитесь подальше от генератора, пока он не остынет, чтобы избежать тяжелых ожогов.
- НЕ эксплуатируйте генератор под дождем.
- Не изменяйте конструкцию генератора и не меняйте средства управления, поскольку это может создать небезопасные эксплуатационные условия.
- Запрещается запускать или останавливать агрегат при подключенных к розеткам электрических нагрузках И при подключенных РАБОТАЮЩИХ устройствах. Перед подключением электрических нагрузок запускайте двигатель и позвольте ему стабилизироваться. Отключайте все электрические нагрузки перед выключением генератора.
- Не помещайте предметы в отверстия охлаждения агрегата.
- При работе с оборудованием всегда будьте бдительны. Запрещается работать с оборудованием в состоянии физического или морального утомления.

Правила техники безопасности

- Запрещается становиться на генератор или любую его часть. Став на агрегат, вы подвергаете детали нагрузке и способны их сломать; это может привести к опасным эксплуатационным условиям в результате просачивания выхлопных газов, утечки топлива или масла и т. д.
- Перед транспортировкой генератора на моделях с электрическим запуском отключите кабель ПОЛОЖИТЕЛЬНОГО ЗАРЯДА (+) на аккумуляторной батарее от стартера двигателя ИЛИ кабель ОТРИЦАТЕЛЬНОГО ЗАРЯДА (-) на аккумуляторной батарее от клеммника последней – выберите то, что легче.

ПРИМЕЧАНИЕ.

Этот генератор оборудован глушителем с искрогасителем. Владелец/оператору необходимо поддерживать искрогаситель в рабочем состоянии. См. раздел «Очистка сетки искрогасителя».

ОПАСНОСТИ ВЫХЛОПА И РАСПОЛОЖЕНИЯ

- **Запрещается эксплуатация в огороженном месте или в помещении! ЗАПРЕЩАЕТСЯ эксплуатация в помещении, в транспортном средстве или в таких частично огороженных местах, как гаражи, ДАЖЕ С открытыми дверьми и окнами! ИСПОЛЬЗОВАТЬ ТОЛЬКО ВНЕ помещений, как можно дальше от окон, дверей, вентиляции и в месте, где не будут скапливаться выхлопные газы.**

⚠ ОПАСНОСТЬ!	
Использование генератора в помещении МОЖЕТ ПРИВЕСТИ К СМЕРТИ ЗА НЕСКОЛЬКО МИНУТ.	
В выхлопных газах генератора содержится угарный газ. Это прозрачное отравляющее вещество без запаха.	
	
ЗАПРЕЩАЕТСЯ использовать в помещении или гараже ДАЖЕ С открытыми дверьми и окнами.	Использовать только ВНЕ ПОМЕЩЕНИЙ подальше от окон, дверей и вентиляции.

- Выхлопные газы двигателя содержат угарный газ, который не имеет ни цвета, ни запаха. Вдыхание достаточного объема этого отравляющего газа может привести к потере сознания и даже к смерти.
- Для правильной работы генератора необходимы достаточные и беспрепятственные охлаждение и вентиляция воздухом. Не вносите изменения в установку и не позволяйте даже частичного перекрытия вентиляции, поскольку это может серьезно повлиять на безопасную эксплуатацию генератора. Генератор НЕОБХОДИМО эксплуатировать вне помещения.
- Необходимо проводить надлежащее техническое обслуживание выхлопной системы. Не делайте ничего, что может нарушить безопасность выхлопной системы или соответствие каким-либо местными нормами и/или стандартами.
- В помещении всегда используйте работающую от аккумуляторной батареи сигнализацию наличия угарного газа, установленную в соответствии с инструкциями производителей.
- Если вы чувствуете тошноту, головокружение или усталость после начала работы генератора, НЕМЕДЛЕННО выйдите на свежий воздух. Обратитесь к врачу, т. к. вы могли отравиться угарным газом.

ОПАСНОСТИ ПОРАЖЕНИЯ ЭЛЕКТРИЧЕСКИМ ТОКОМ

- Генератор производит опасное высокое напряжение при эксплуатации. При включенном агрегате избегайте контакта с оголенными проводами, клеммниками, соединениями и т. д. даже на подключенном к генератору оборудовании. Перед началом эксплуатации генератора убедитесь, что все соответствующие защитные приспособления, крышки и экраны находятся на своих местах.
- Запрещается притрагиваться к электрическому шнуру или устройству любого типа, стоя в воде, босиком или если ваши руки или ноги мокрые. **ЭТО МОЖЕТ ПРИВЕСТИ К ОПАСНОСТИ ПОРАЖЕНИЯ ЭЛЕКТРИЧЕСКИМ ТОКОМ.**
- В соответствии с местными нормами электробезопасности может потребоваться заземление генератора. Проконсультируйтесь у профессионального электрика относительно местных требований к заземлению.
- Не используйте с генератором изношенные, оголенные, потертые или иным образом поврежденные электрические шнуровые комплекты.
- Перед проведением технического обслуживания генератора отсоедините аккумуляторную батарею запуска двигателя, чтобы не допустить случайного запуска. Сначала отсоедините кабель от клеммы аккумуляторной батареи с обозначением NEGATIVE (ОТРИЦАТЕЛЬНЫЙ ЗАРЯД), NEG (ОТРИЦ.) или (-). Этот кабель следует подключать последним.
- В случае происшествия поражения электрическим током немедленно выключите источник электрического питания. Если это невозможно, попробуйте освободить пострадавшего от действия тока. **ИЗБЕГАЙТЕ ПРЯМОГО КОНТАКТА С ПОСТРАДАВШИМ.** Для освобождения пострадавшего от действия тока используйте непроводящие средства, такие как веревка или доска. Если пострадавший потерял сознание, окажите первую помощь и немедленно обратитесь за квалифицированной медицинской помощью.

ОПАСНОСТИ ВОЗНИКНОВЕНИЯ ПОЖАРА

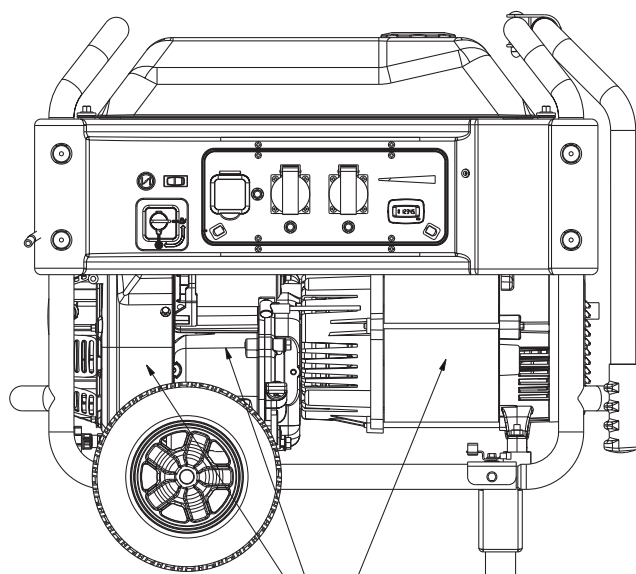
- Бензин обладает высокой ВОСПЛАМЕНЯЕМОСТЬЮ, а его пары ВЗРЫВООПАСНЫ. Не допускайте курения, присутствия источников открытого пламени, искр или высокой температуры вблизи от места работы с бензином.
- Запрещается заправлять топливом работающий или горячий агрегат. Перед заправкой позвольте двигателю полностью остыть.
- **Запрещается заправлять топливный бак в помещении.** Выполняйте все требования законодательства по хранению и транспортировке бензина.
- **Не переполняйте топливный бак. Всегда оставляйте пространство для расширения топлива.** Если бак будет переполнен, топливо может вылиться на горячий двигатель, что может привести к ПОЖАРУ или ВЗРЫВУ. Запрещается хранить генератор с оставшимся в баке топливом там, где пары бензина могут достигнуть открытого пламени, искр или запала (например, в печи, водонагревателе или сушильной машине для белья). Это может привести к ПОЖАРУ или ВЗРЫВУ. Перед хранением позвольте агрегату полностью остыть.
- Немедленно вытирайте пролитое топливо или масло. Убедитесь, что на генераторе или возле него не осталось возгораемых материалов. Содержите в чистоте и не допускайте захламления участка вокруг генератора; также следует освободить пространство со всех сторон на 5 (пять) футов (1,5 метра) для надлежащей вентиляции агрегата.
- Не помещайте предметы в отверстия охлаждения агрегата.
- **Не** эксплуатируйте генератор при перегреве подключенных электрических устройств, при прекращении производства электричества, при наличии искрения двигателя или генератора либо при наличии пламени или дыма на работающем агрегате.
- Рядом с генератором всегда должен находиться огнетушитель.

РЕГИСТРАЦИЯ

Зарегистрируйте свою продукцию в Интернете по адресу www.generac.com, чтобы получать важную информацию о ней или обновления.

МОДЕЛЬ №:	
СЕРИЙНЫЙ №:	

Обозначение генератора



РАСПОЛОЖЕНИЕ
ИДЕНТИФИКАТОРА
АГРЕГАТА

1.1 ВСКРЫТИЕ УПАКОВКИ

- Снимите весь упаковочный материал.
- Уберите отдельную коробку с принадлежностями.
- Уберите картон с генератора.

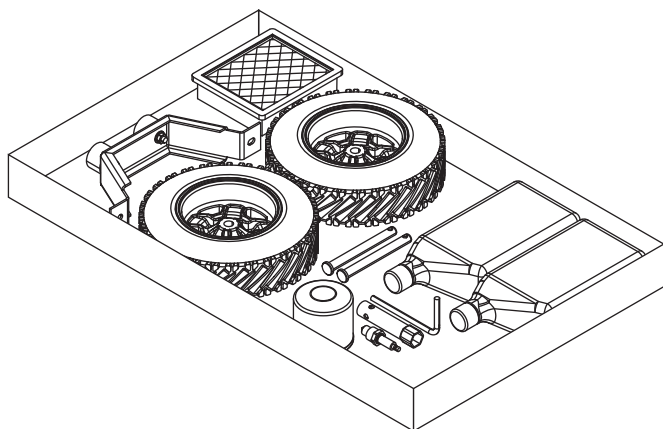
1.1.1 КОРОБКА С ПРИНАДЛЕЖНОСТЯМИ

Проверьте наличие содержимого (рисунок 1). Если отсутствует или повреждена какая-либо деталь, свяжитесь с авторизованным дилером, которого можно найти по адресу www.generac.com/DealerLocator.

Содержимое включает следующие детали.

- 1 руководство пользователя
- 1 ножка шасси
- 2 колеса
- 1 сумка с крепежными деталями (содержимое перечислено ниже)
 - 5 гаек с буртиком
 - 2 резиновые ножки
 - 2 коротких болта
 - 2 шплинта
- 1 вал
- 1 ручка с рукояткой
- 1 пластиковая распорка
- 1 съемный кронштейн
- 3 длинных болта
- 1 рукоятка в сборе
- 2 длинных изогнутых головочных болта
- 2 колпачковые гайки
- 2 оси
- 2 шайбы
- 2 гайки с буртиком (только для моделей с электростартером)
- 1 зарядное устройство (только для моделей с электростартером)
- 1 кабель-переходник (см. раздел «Кабель-переходник на 50 Гц»)

Рисунок 1 – Коробки с принадлежностями



1.2 СБОРКА

Перед началом сборки или эксплуатации генератора ознакомьтесь полностью с руководством пользователя. Перед работой с генератором необходимо его дособрать. Если при сборке генератора возникнут проблемы, вызовите авторизованного дилера, которого можно найти по адресу www.generac.com/DealerLocator.

1.2.1 СБОРКА КОМПЛЕКТА КОЛЕС И НОЖКИ ШАССИ

Комплект колес предназначен для значительного повышения транспортабельности генератора. См. рисунок 2 и в соответствии с ним выполните монтаж комплекта колес и ножки шасси.

Для монтажа комплекта колес понадобятся перечисленные ниже инструменты.

- Плоскогубцы
- Гаечный ключ на 13 мм
- Торцевой гаечный ключ на 13 мм

ПРИМЕЧАНИЕ.

Комплект колес не предназначен для транспортировки в качестве прицепа.

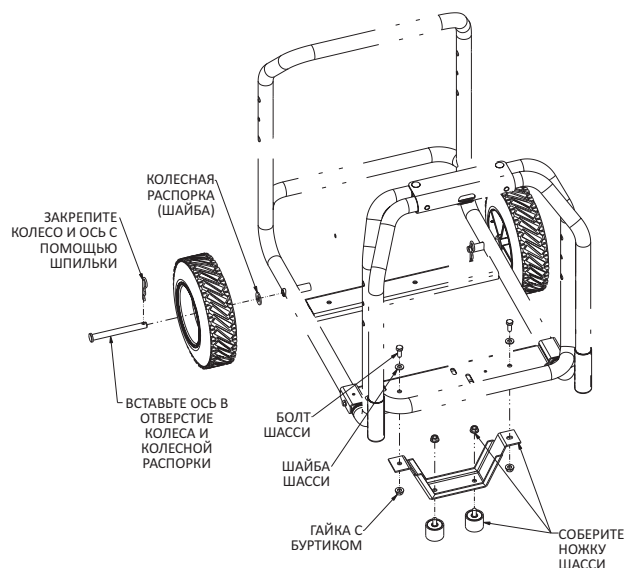
Колеса

- Вставьте ось в отверстия колеса, колесной распорки (шайбы) и рамы шасси.
- Вставьте шпильку в ось, чтобы закрепить положение колеса. Повторите действия с противоположной стороны.

Ножка

- С помощью предоставляемых стопорных гаек закрепите виброизоляторы на ножке шасси.
- Чтобы установить ножку шасси, соедините ее и раму шасси с помощью соответствующего болта и гайки. Закрепите соединение гайкой с буртиком.

Рисунок 2 – Сборка колеса и ножки



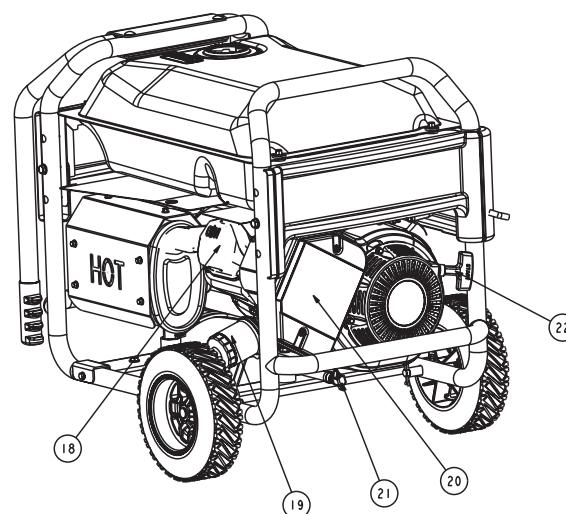
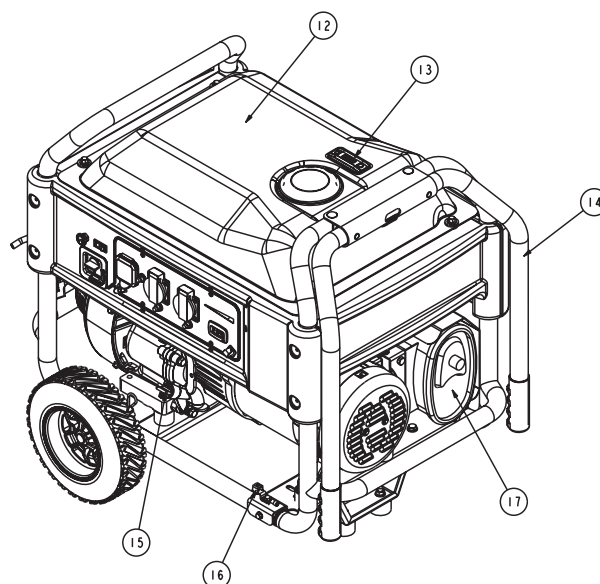
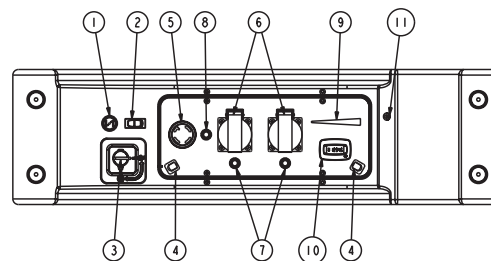
2.1 ОЗНАКОМЛЕНИЕ С ГЕНЕРАТОРОМ

Перед началом эксплуатации генератора ознакомьтесь полностью с руководством пользователя и правилами техники безопасности.

Сравните генератор с рисунками 3–6, чтобы ознакомиться с расположением различных средств управления и настройки. Сохраните это руководство для дальнейшей консультации.

1. **Рукоятка «подсоса»** – используется при запуске холодного двигателя (ее можно тянуть на себя или толкать от себя).
2. **Переключатель двигателя** – управляет работой генератора. Переключение между положениями Start/Run/Stop (Запуск/Работа/Остановка).
3. **Топливный отсечной клапан** – клапан между топливным баком и карбюратором. Перед постановкой на длительное хранение выключите и позвольте карбюратору выработать все топливо.
4. **Светодиоды панели** – подсвечивают панель управления при работе генератора.
5. **Защелкивающаяся розетка на 230 В перем. тока 30 А** – обеспечивает энергией нагрузки электроинструментов, приборов, освещения и электродвигателей, работающие от однофазного перем. тока 30 либо 25 А, 230 В, 50 Гц.
6. **Розетка CEE 7/4, тип F, на 230 В перем. тока 16 А** – обеспечивает энергией нагрузки электроинструментов, приборов, освещения и электродвигателей, работающие от однофазного перем. тока 16 А, 230 В, 50 Гц.
7. **Размыкатели цепи (перем. тока)** – под каждую розетку 16 А устанавливается кнопочный размыкатель соответствующего типа для защиты генератора от электрической перегрузки.
8. **Размыкатели цепи (перем. тока)** – под розетку 30 А устанавливается предохраняющий кнопочный размыкатель соответствующего типа для защиты генератора от электрической перегрузки.
9. **Индикатор энергии** – указывает на объем используемой энергии, производимой генератором; каждая секция соответствует приблизительно 25 %.
10. **Счетчик часов** – отображает количество часов эксплуатации до технического обслуживания.
11. **Подключение зарядного устройства для аккумуляторной батареи** – через это гнездо с помощью 12-вольтового зарядного устройства с штепсельным переходником можно перезаряжать аккумуляторную батарею запуска двигателя на 12 В (пост. ток). Аккумуляторная батарея защищена за счет встроенного в панель управления плавкого предохранителя на 1,50 А.
12. **Топливный бак** – объем бака см. в технических характеристиках генератора.
13. **Топливный датчик** – показывает уровень топлива в баке.
14. **Ручки** – при хранении следует отвинтить и снять. Для изменения положения ручек нажмите пружинную кнопку.
15. **Маслозаливная горловина** – служит для заправки маслом и проверки его уровня.
16. **Вывод для заземления** – в этом месте присоедините к генератору подходящее заземление. Подробные сведения см. в разделе «Заземление генератора».
17. **Глушитель** – служит для снижения шума двигателя и включает искрогаситель.
18. **Месторасположение свечи зажигания** – свеча зажигает топливоздушную смесь (необходимо снять боковую панель).
19. **Масляный фильтр двигателя** – фильтрует моторное масло; надлежущую периодичность технического обслуживания см. в разделе 3.1.
20. **Воздушный фильтр** – фильтрует заборный воздух, попадающий в двигатель.
21. **Маслослив** – клапан слива отработанного масла из картера двигателя.
22. **Веревочный стартер** – с его помощью можно запустить двигатель вручную.

Рисунок 3 – Расположение деталей генератора



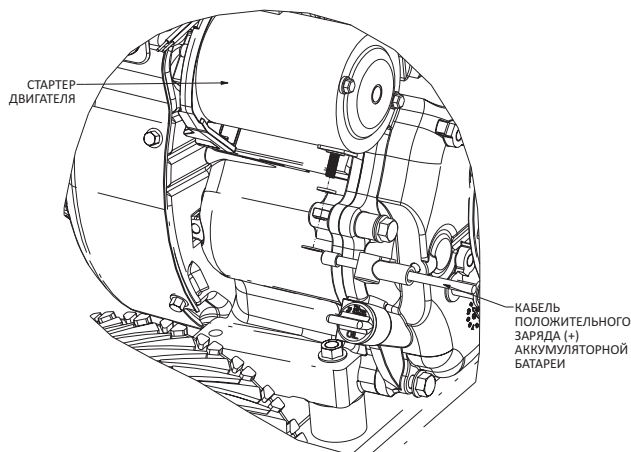
2.1.1 ПОДКЛЮЧЕНИЕ АККУМУЛЯТОРНОЙ БАТАРЕИ

ПРИМЕЧАНИЕ.

Аккумуляторная батарея поставляется с генератором полностью заряженной. Аккумуляторная батарея может частично разрядиться, если не будет использоваться продолжительное время. Если невозможно завести двигатель с помощью аккумуляторной батареи, подключите 12-вольтовое зарядное устройство из коробки с принадлежностями (см. раздел «Зарядка аккумуляторной батареи»). РАБОТАЮЩИЙ ГЕНЕРАТОР НЕ ЗАРЯЖАЕТ АККУМУЛЯТОРНУЮ БАТАРЕЮ.

Провод положительного заряда на аккумуляторной батарее был преднамеренно отсоединен для перевозки. Чтобы использовать агрегат, подключите этот провод к клеммнику на моторе стартера, как показано на рисунке. Чрезмерно не затягивайте. Наденьте прикрепленный резиновый чехол на клеммник стартера. См. рисунок 4.

Рисунок 4 – Подключение аккумуляторной батареи



2.2 СЧЕТЧИК МОТОЧАСОВ

Счетчик часов помогает отслеживать время эксплуатации (в часах) до планового технического обслуживания (рисунок 5); см. таблицу.

Эксплуатация. Нажимайте и отпускайте кнопку сброса, чтобы переключаться между экранами. Счет часов идет в обратную сторону от установленного интервала из таблицы.

Когда счетчик достигнет значения 5 часов, в течение двух минут будет мигать текст «CHG OIL» (ЗАМЕН. МАСЛО) (или «SVC AIR FILTER» (ОБСЛ. ВОЗДУШНЫЙ ФИЛЬТР), или «CHG PLUG» (ЗАМЕН. СВЕЧУ)). После этого в течение 2 минут счетчик вернется к отображению общего количества часов для агрегата. Цикл повторяется на протяжении 5 часов.

Когда значение интервала технического обслуживания достигает нуля часов, текст «NOW» (СЕЙЧАС) заменяет оставшееся количество часов.

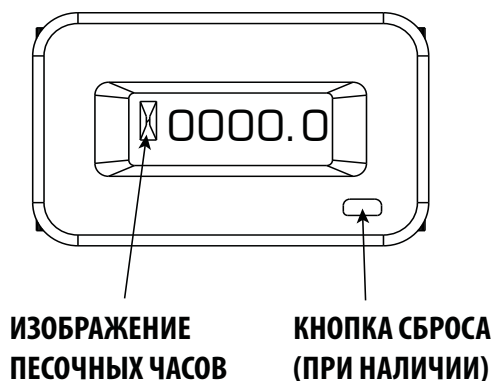
Например, для нового генератора будут попеременно мигать сообщения «CHG OIL» (ЗАМЕН. МАСЛО) и «in 30» (через 30). Это значит, что через 30 часов будет необходимо заменить масло. Несколько нажатий кнопки вернет счетчик обратно к экрану с общим количеством часов работы.

Сброс. Переключитесь на сигнал, который требуется сбросить, а затем нажмите кнопку на 9 секунд. Время технического обслуживания (в часах) будет сброшено, когда на дисплее отобразится «0000.0».

ПРИМЕЧАНИЕ.

Когда двигатель работает, мигает изображение песочных часов. Это указывает на то, что счетчиком регистрируются часы эксплуатации.

Рисунок 5 – Счетчик часов



2.3 ШНУРОВЫЕ КОМПЛЕКТЫ И ШТЕПСЕЛЯ

2.3.1 РОЗЕТКА СЕЕ 7/4, ТИП F, НА 230 В ПЕРЕМ. ТОКА 16 А

Это – розетка на 230 вольт (рисунок 6), защищенная от перегрузки с помощью кнопочного размыкателя цепи на 16 А. Каждая розетка может питать однофазные электрические нагрузки переменного тока 16 А (общей мощностью 3680 Вт (3,7 кВт)), 230 В, 50 Гц. Используйте только высококачественные, хорошо изолированные комплекты 3-жильных заземленных проводов, предназначенные для 230 В при 16 А (или с более высокими характеристиками).

Удлинитель должны быть минимальной длины, желательно менее 5 метров, чтобы не допустить падения напряжения и возможного перегрева проводов.

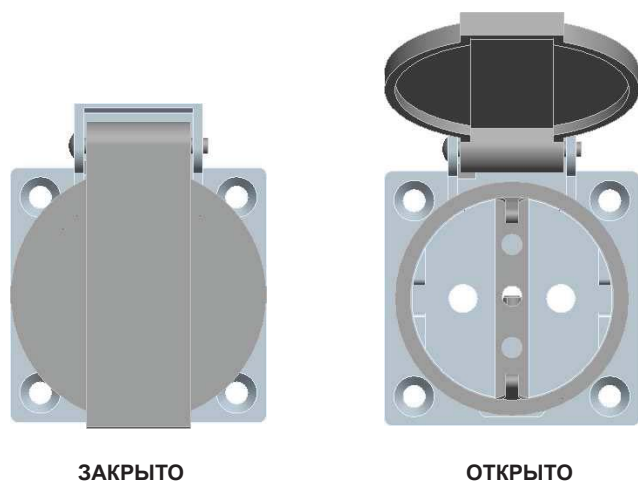
Таблица счетчика часов

Сообщение	Частота сообщения	Интервал	Продолжительность сообщения
CHG OIL (ЗАМЕН. МАСЛО)	Период начальной обкатки	Первые 30 часов	ВКЛЮЧАЕТСЯ/ВЫКЛЮЧАЕТСЯ на 2 минуты в течение 5 часов
CHG OIL (ЗАМЕН. МАСЛО)	Повторяется	100 часов	
SVC AIR FILTER (ОБСЛ. ВОЗДУШНЫЙ ФИЛЬТР)	Повторяется	200 часов	
CHG PLUG (ЗАМЕН. СВЕЧУ)	Повторяется	200 часов	

2.3.2 РОЗЕТКА НА 230 В ПЕРЕМ. ТОКА 30 А

Эта розетка может питать однофазные нагрузки переменного тока (общей мощностью до 5600–6400 Вт (5,6–6,4 кВт) в зависимости от модели) на 230 В, 50 Гц; для защелкивания/снятия фиксации поверните штепсель. Розетка защищена от перегрузки размыкателем цепи на 25 или 30 А.

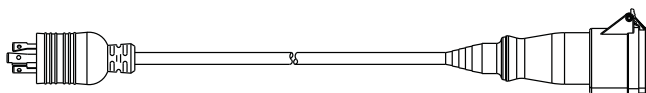
Рисунок 6 – Розетки генератора



2.3.3 КАБЕЛЬ ПЕРЕХОДНИКА, 50 ГЦ (ТОЛЬКО ДЛЯ МОДЕЛЕЙ XG5600/XG6400)

Кабель переходника поставляется с генератором; одной стороной он подключается к защелкивающейся розетке 30 А на панели управления генератора, а с другой стороны – у него гнездо IP44 CEE 2P+E на 32 А (рисунок 7).

Рисунок 7 – Кабель переходника



2.4 ИНСТРУКЦИИ ПО ЭКСПЛУАТАЦИИ ГЕНЕРАТОРА

Если при эксплуатации генератора возникнут проблемы, вызовите авторизованного дилера, которого можно найти по адресу www.generac.com/DealerLocator.

⚠ ОПАСНОСТЬ!

- ⚠ **Запрещается эксплуатация в огороженном месте или в помещении! ЗАПРЕЩАЕТСЯ эксплуатация в помещении, в транспортном средстве или в таких частично огороженных местах, как гаражи, ДАЖЕ С открытыми дверьми и окнами! ИСПОЛЬЗОВАТЬ ТОЛЬКО ВНЕ помещений, как можно дальше от окон, дверей, вентиляции и в месте, где не будут скапливаться выхлопные газы.**
- ⚠ **Выхлопные газы двигателя содержат угарный газ, который не имеет ни цвета, ни запаха. Вдыхание достаточного объема этого отравляющего газа может привести к потере сознания и даже к смерти.**
- ⚠ **Для правильной работы генератора необходимы соответствующие требованиям и беспрепятственные охлаждение и вентиляция воздухом. Не вносите изменения в установку и не позволяйте даже частичного перекрытия вентиляции, поскольку это может серьезно повлиять на безопасную эксплуатацию генератора. Генератор НЕОБХОДИМО эксплуатировать вне помещения.**
- ⚠ **Необходимо проводить надлежащее техническое обслуживание выхлопной системы. Не делайте ничего, что может нарушить безопасность выхлопной системы или соответствие каким-либо местными нормами и/или стандартами.**
- ⚠ **Производитель рекомендует установить в помещении работающую от аккумуляторной батареи сигнализацию наличия угарного газа.**

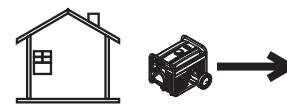
⚠ ОПАСНОСТЬ!

Использование генератора в помещении **МОЖЕТ ПРИВЕСТИ К СМЕРТИ ЗА НЕСКОЛЬКО МИНУТ.**

В выхлопных газах генератора содержится угарный газ. Это прозрачное отравляющее вещество без запаха.



ЗАПРЕЩАЕТСЯ использовать в помещении или гараже **ДАЖЕ С** открытыми дверьми и окнами.



Использовать только **ВНЕ ПОМЕЩЕНИЙ** подальше от окон, дверей и вентиляции.

2.4.1 РАБОЧЕЕ ЗАЗЕМЛЕНИЕ

В генераторе есть рабочее заземление, которое соединяет детали рамы шасси с выводом заземления на розетках перем. тока.

Особые требования

Надлежащая эксплуатация генератора может регулироваться федеральными, государственными административными правилами, местными нормами или постановлениями об охране труда.

Проконсультируйтесь у профессионального электрика, инспектора электробезопасности или в местном уполномоченном учреждении относительно следующих вопросов.

- В некоторых регионах требуется регистрация генераторов в коммунальных компаниях.
- Если генератор используется на строительной площадке, может оказаться необходимым придерживаться дополнительных правил.

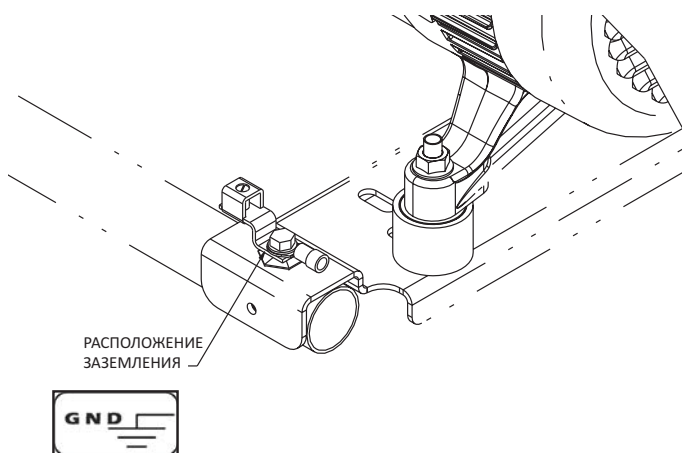
2.4.2 ПОДКЛЮЧЕНИЕ К ЭЛЕКТРОСЕТИ ЗДАНИЯ

Подключения резервного питания к электросети здания может выполнять только профессиональный электрик. При подключении питание от генератора должно быть изолированным от питания общего назначения или других альтернативных источников, а также соответствовать применимым законоположениям и нормам электробезопасности.

Заземление генератора

В соответствии с местными нормами электробезопасности может потребоваться заземление агрегата (рисунок 8). Для этого следует соединить скрученным медным проводом 2,59 мм вывод для заземления и медный или латунный заземлитель (электрод), что обеспечит достаточную защиту от поражения электрическим током. Тем не менее, местные нормы могут сильно различаться. **Проконсультируйтесь у профессионального электрика относительно местных требований к заземлению.**

Рисунок 8 – Расположение заземления генератора



2.4.3 ПОДКЛЮЧЕНИЕ ЭЛЕКТРИЧЕСКИХ НАГРУЗОК

НЕ подключайте нагрузки 120 В к розеткам 230 В.

НЕ подключайте 3-фазные нагрузки к генератору.

НЕ подключайте нагрузки 60 Гц к генератору.

- После запуска позвольте двигателю стабилизироваться и нагреться в течение нескольких минут.
- Подключите в розетки и включите однофазные электрические нагрузки перем. тока на 230 В, 50 Гц.
- Просуммируйте значения ватт (или ампер) всех одновременно подключенных нагрузок. Эта сумма не должна быть выше (а) номинальной мощности для силы тока генератора или (б) паспортной характеристики размыкателя цепи на подающей ток розетке. См. раздел «Не перегружайте генератор»

2.5 НЕ ПЕРЕГРУЖАЙТЕ ГЕНЕРАТОР

Перегрузка генератора выше его номинальной мощности может привести к повреждению агрегата и подключенных электрических устройств. Для предотвращения перегрузки агрегата выполняйте следующие инструкции.

- Просуммируйте значения мощности всех одновременно подключенных электрических устройств. Сумма НЕ должна превышать допустимую мощность генератора.
 - Номинальная мощность ламп указывается на стеклянных колбах. Номинальная мощность инструментов, приборов и электродвигателей указывается в данных на наклейках или маркировках на устройстве.
 - Если на приборе, инструменте или электродвигателе не указывается мощность, чтобы ее узнать, перемножьте напряжение и силу тока (вольт x ампер = ватт).
 - Некоторым электродвигателям, например индукционного типа, необходимо в три раза больше мощности в ваттах для запуска, чем для работы. Этот скачок мощности длится всего несколько секунд при запуске таких электродвигателей. Обеспечьте высокую мощность запуска при выборе подключаемых к генератору электрических устройств.
1. Определите мощность в ваттах, необходимую для запуска самого большого электродвигателя.
 2. Добавьте к этой цифре рабочую мощность уже подключенных нагрузок.

2.6 ДЕЙСТВИЯ ПЕРЕД ЗАПУСКОМ ГЕНЕРАТОРА

Перед началом эксплуатации генератора его необходимо заправить маслом и бензином.

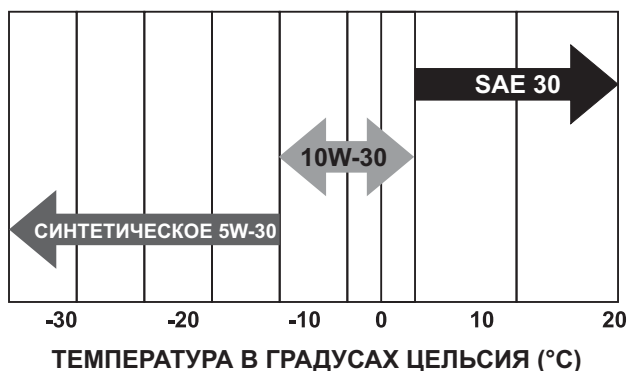
2.6.1 ЗАПРАВКА МОТОРНЫМ МАСЛОМ

Не используйте специальных присадок. Подберите коэффициент вязкости масла соответственно ожидаемой рабочей температуре (также см. схему).

- Выше 4 °C: используйте масло SAE 30
- От -12 °C до 4 °C: используйте масло 10W-30
- Ниже -12 °C: используйте синтетическое масло 5W-30

⚠ ПРЕДУПРЕЖДЕНИЕ!

⚠ Любая попытка завести двигатель (вручную или электрическим способом), перед этим не заправив его рекомендуемым маслом, может привести к выходу двигателя из строя.



1. Расположите генератор на ровной поверхности (угол наклона не более 15° в любую сторону).
2. Очистите место рядом с маслозаливной горловиной и откройте ее крышку.
3. Медленно заправляйте двигатель маслом через горловину до отметки максимального уровня. Время от времени прекращайте заправку, чтобы проверить уровень масла. (Двигатель полностью заправлен маслом, когда уровень последнего повысился до резьбы заглушки заливной горловины, см. рисунок 9.)
4. Установите крышку маслозаливной горловины и крепко затяните с усилием от руки.
5. В дальнейшем проверяйте уровень моторного масла перед каждым запуском.

Рисунок 9 – Уровень масла



2.6.2 ЗАПРАВКА БЕНЗИНОМ

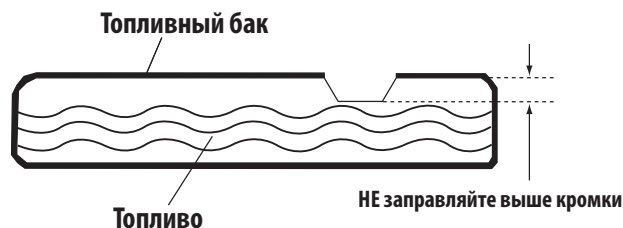
⚠ ОПАСНОСТЬ!

- ⚠ ЗАПРЕЩАЕТСЯ заправлять топливный бак в помещении. Постарайтесь не разливать бензин на горячий двигатель. Перед заправкой позволяйте двигателю полностью остыть. ЗАПРЕЩАЕТСЯ заправлять топливный бак работающего или горячего двигателя. НЕ подкуривайте и НЕ курите при заправке топливного бака. Бензин обладает высокой воспламеняемостью, а его пары ВЗРЫВООПАСНЫ.
- ⚠ Не переполняйте топливный бак. Всегда оставляйте пространство для расширения топлива. Если бак будет переполнен, топливо может вылиться на горячий двигатель и привести к пожару или взрыву. Немедленно вытрите пролитое топливо.

1. Для двигателя генератора используйте обычный НЕЭТИЛИРОВАННЫЙ бензин с октановым числом равным по значению 92. Не используйте бензин «премиум» класса. Не смешивайте масло с бензином.
2. Очистите место возле крышки топливозаливной горловины; снимите крышку.
3. Медленно заправляйте топливный бак обычным неэтилированным бензином. Заполняйте бак до дна сетчатого фильтра. **Соблюдайте осторожность, чтобы не переполнить** (рисунок 10).
4. Установите крышку бака и протрите разлитый бензин.

ВАЖНО! Существенно необходимо предотвращать попадание резинового осадка, образующегося при хранении в таких деталях системы, как карбюратор, топливный шланг или бак. Спиртово-топливные смеси (которые называются бензоспирт, этанол или метанол) могут притягивать влагу, вследствие чего при хранении происходит расслоение жидкости и образуются кислоты. Газообразная кислота может повредить топливную систему двигателя на хранении. Чтобы избежать неполадок в двигателе, следует осушить топливную систему перед постановкой на хранение на 30 дней или более. См. раздел «Хранение». Запрещается использовать очистительные средства для двигателя или карбюратора в топливном баке, так как это может привести к неустраняемым повреждениям.

Рисунок 10 – Топливный бак



2.7 ЗАПУСК ДВИГАТЕЛЯ

Запрещается запускать или останавливать двигатель при подключенных к розеткам И работающих электрических устройствах.

1. Отключите все электрические нагрузки из розеток агрегата перед запуском двигателя.
2. Убедитесь, что агрегат расположен на ровной поверхности (угол наклона не более 15° в любую сторону).
3. Откройте топливный отсечной клапан (рисунок 11).
4. Потяните на себя рукоятку «подсоса» двигателя в положение **Full Choke** (Максимальный подсос) (рисунок 12).

Рисунок 11 – Топливный отсечной клапан

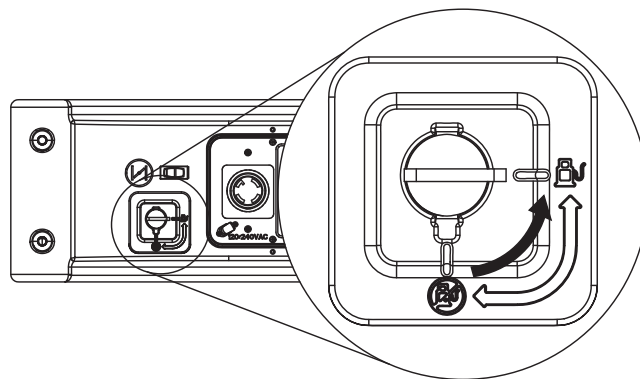
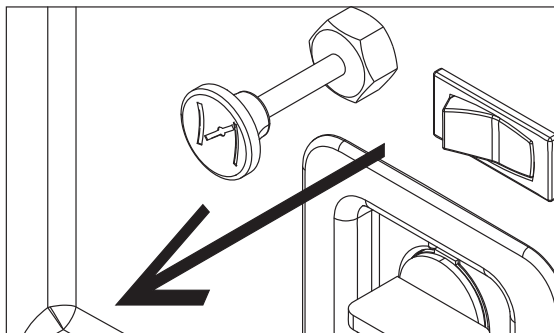


Рисунок 12 – Использование рукоятки подсоса



2.7.1 РУЧНОЙ ЗАПУСК

1. Чтобы запустить генератор, переведите переключатель Start/Run/Stop (Запуск/Работа/Остановка) в положение RUN (ЗАПУСК).
2. Крепко возьмитесь за ручку веревочного стартера и медленно потяните, пока не почувствуете сопротивление ходу. Быстро потяните вверх и в сторону, чтобы запустить двигатель.
3. Когда двигатель запустится, толкайте рукоятку «подсоса» в положение 1/2 Choke (Подсос на 1/2) до тех пор, пока двигатель не заработает ровно, а затем переведите полностью в положение Run (Работа). Если двигатель дрожит, тяните рукоятку «подсоса» обратно в положение 1/2 Choke (Подсос на 1/2) до тех пор, пока двигатель не заработает ровно, а затем переведите полностью в положение Run (Работа).

ПРИМЕЧАНИЕ.

Если двигатель срабатывает, но не продолжает работать, потяните рукоятку «подсоса» в положение Full Choke (Максимальный подсос) и повторите инструкции по запуску.

2.7.2 ЭЛЕКТРИЧЕСКИЙ ЗАПУСК

1. Чтобы запустить двигатель, нажмите и удерживайте переключатель Start/Run/Stop (Запуск/Работа/Остановка) в положении Start (Запуск). Двигатель заведется и попытается запуститься. Когда двигатель запустится, отпустите переключатель обратно в положение Run (Работа).
2. Когда двигатель запустится, толкайте рукоятку «подсоса» в положение 1/2 Choke (Подсос на 1/2) до тех пор, пока двигатель не заработает ровно, а затем переведите полностью в положение Run (Работа). Если двигатель дрожит, тяните рукоятку «подсоса» обратно в положение 1/2 Choke (Подсос на 1/2) до тех пор, пока двигатель не заработает ровно, а затем переведите полностью в положение Run (Работа).
3. Этот генератор может также оборудоваться ручным веревочным стартером, который предназначен для использования при разряженной аккумуляторной батарее.

ПРИМЕЧАНИЕ.

Переключатель должен находиться в положении RUN (РАБОТА).

2.8 ОСТАНОВКА ДВИГАТЕЛЯ

1. Выключите все электрические нагрузки, затем отсоедините их из розеток на панели генератора. Запрещается запускать или останавливать двигатель при подключенных к розеткам и работающих электрических устройствах.
2. Позвольте двигателю в течение нескольких минут поработать без нагрузки, чтобы стабилизировались внутренние температуры двигателя и генератора.
3. Переведите переключатель Start/Run/Stop (Запуск/Работа/Остановка) в положение Stop (Остановка).
4. Закройте топливный клапан.

2.9 ВЫКЛЮЧЕНИЕ СИСТЕМЫ ПРИ НИЗКОМ ДАВЛЕНИИ МАСЛА

Двигатель оборудован датчиком низкого давления масла, который автоматически выключает агрегат, если давление падает ниже 0,034 МПа (5 фунт. на кв. дюйм). Механизм задержки, встроенный в систему выключения при низком давлении масла, предоставляет возможность нагнетания давления при запуске. Механизм задержки позволяет двигателю работать в течение 10 секунд, перед тем как начнется измерение давления масла. Если двигатель самостоятельно выключается, а в топливном баке достаточно бензина, проверьте уровень масла.

2.9.1 ПЕРЕЗАПУСК

Двигатель может НЕ запуститься, если его попытаться перезапустить в течение 10 секунд после выключения. Системе необходимо 5–10 секунд для возврата в исходное состояние.

Если перезапустить двигатель после такого выключения и при этом не откорректировать давление масла, агрегат проработает около 10 секунд (как указано выше) и остановится.

2.10 ЗАРЯДКА АККУМУЛЯТОРНОЙ БАТАРЕИ (ТОЛЬКО ДЛЯ АГРЕГАТОВ С ЭЛЕКТРИЧЕСКИМ ЗАПУСКОМ)

⚠ ОПАСНОСТЬ!

При перезарядке аккумуляторных батарей выделяется взрывоопасный газ – водород. Взрывоопасная смесь надолго остается рядом с аккумуляторной батареей после зарядки последней. Малейшее искрение может зажечь водород и привести к взрыву. Такой взрыв способен разорвать батарею и привести к потере зрения или другой серьезной травме.

⚠ ОПАСНОСТЬ!

Не допускайте курения, присутствия источников открытого пламени, искр или каких-либо источников высокой температуры рядом с аккумуляторной батареей. Одевайте защитные очки, резиновый фартук и перчатки при работе рядом с аккумуляторной батареей. Электролит в аккумуляторной батарее – это высококоррозионный раствор серной кислоты, который может вызвать тяжелые ожоги. Пролитую на поверхность жидкость следует немедленно смыть чистой водой.

ПРИМЕЧАНИЕ.

Аккумуляторная батарея поставляется с генератором полностью заряженной. Аккумуляторная батарея может частично разрядиться, если не будет использоваться продолжительное время. Если невозможно завести двигатель с помощью аккумуляторной батареи, подключите 12-вольтовое зарядное устройство из коробки с принадлежностями. РАБОТАЮЩИЙ ГЕНЕРАТОР НЕ ЗАРЯЖАЕТ АККУМУЛЯТОРНУЮ БАТАРЕЮ.

Чтобы подзарядить аккумуляторную батарею для дальнейшего использования, используйте соответствующее зарядное устройство с штепсельным переходником. Зарядку батареи следует проводить в сухом месте.

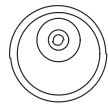
1. Вставьте зарядное устройство для аккумуляторной батареи в соответствующее гнездо на панели управления. Вставьте шнур питания зарядного устройства для аккумуляторной батареи в настенную розетку перем. тока на 230 В.
2. Отключите зарядное устройство для аккумуляторной батареи из настенной розетки и из гнезда на панели управления, когда необходимо использовать генератор.

ПРИМЕЧАНИЕ.

Не используйте зарядное устройство для аккумуляторной батареи более 48 часов на один цикл заряда.

Рисунок 13 – Гнездо зарядного устройства для аккумуляторной батареи

АККУМУЛЯТОР



ВХОД ЗАРЯДНОГО УСТРОЙСТВА

3.1 РАСПИСАНИЕ ТЕХНИЧЕСКОГО ОБСЛУЖИВАНИЯ

Придерживайтесь календарным интервалам. При работе в указанных ниже неблагоприятных условиях требуется более частое техническое обслуживание.

Проверка уровня масла	Каждый раз при использовании
Замена масла и масляного фильтра ‡	*Ежесезонно/каждые 100 часов
Очистка сетки искрогасителя	**Ежесезонно/каждые 100 часов
Обслуживание воздушного фильтра	**Ежесезонно/каждые 200 часов
Замена свечи зажигания	Ежесезонно

- ‡ Замените масло после первых 30 часов работы, затем заменяйте ежесезонно.
- * Заменяйте масло и масляный фильтр ежемесячно в условиях высокой нагрузки или высоких температур.
- ** Очищайте чаще при работе в грязных или пыльных условиях. Заменяйте воздушный фильтр, если он сильно загрязнился.

3.2 ТЕХНИЧЕСКИЕ ХАРАКТЕРИСТИКИ

3.2.1 ТЕХНИЧЕСКИЕ ХАРАКТЕРИСТИКИ ГЕНЕРАТОРА

Модель	
Номинальная мощность	5,6 кВт**
Кратковременная мощность.....	8 400 Вт
Номинальное напряжение перем. тока	230 В
Номинальный макс. перем. ток	
Нагрузки при 230 В.....	24,3 А**
Номинальная частота	50 Гц п р и 3 000 об./мин
Фазовость	одна фаза
Номинальное напряжение пост. тока.....	12 В
Тип аккумуляторной батареи	10 А-ч, 12 В пост. тока

Модель	
Номинальная макс. мощность	6,4 кВт**
Макс. скачок мощности.....	9 600 Вт
Номинальное напряжение перем. тока	230 В
Номинальный макс. перем. ток	
Нагрузки при 230 В.....	27,8 А**
Номинальная частота	50 Гц п р и 3 000 об./мин
Фазовость	одна фаза
Номинальное напряжение пост. тока.....	12 В
Тип аккумуляторной батареи	10 А-ч, 12 В пост. тока

** Интервал рабочих температур: 18–40 °С (0–104 °F). В ходе работы при температуре выше 25 °С (77 °F) может снижаться мощность двигателя.

** Максимальная мощность и сила тока обуславливаются и ограничиваются такими факторами, как теплотворная способность топлива, температура окружающей среды, состояние двигателя и т. д. Максимальная мощность снижается приблизительно на 3,5 % за каждые 305 метров (1000 футов) над уровнем моря.

3.2.2 ТЕХНИЧЕСКИЕ ХАРАКТЕРИСТИКИ ДВИГАТЕЛЯ

Рабочий объем.....	407 куб. см
Тип свечи зажигания.....	Champion RC14YC или эквивалент
Код продукта для свечи зажигания.....	0E7585
Зазор между электродами свечи зажигания.....	0,76 мм
Вместимость бензина.....	34,07 литра
Тип масла	см. схему в разделе «Заправка моторным маслом»
Вместимость масла	при замене фильтра = 1,42 литра
	без замены фильтра = 1,136 литра
Код продукта для масляного фильтра.....	070185B
Время работы/расход топлива при нагрузке на 1/2.....	10 часов / 3,4 литра в час

3.3 ОБЩИЕ РЕКОМЕНДАЦИИ

Гарантия для генератора не распространяется на случаи эксплуатации с нарушением установленных норм и режимов или на случаи халатности оператора. Для получения полного возмещения по гарантии оператор должен эксплуатировать генератор в соответствии с инструкциями этого руководства.

При надлежащей эксплуатации генератора время от времени необходимо проводить некоторые настройки.

Все настройки из раздела технического обслуживания этого руководства следует проводить по меньшей мере один раз на сезон. Придерживайтесь требований в разделе «Расписание технического обслуживания».

ПРИМЕЧАНИЕ.

Заменяйте один раз в год свечу зажигания и воздушный фильтр. Новая свеча зажигания и чистый воздушный фильтр обеспечат достаточную топливоздушную смесь и поспособствуют лучшей более продолжительной работе двигателя.

3.3.1 ТЕХНИЧЕСКОЕ ОБСЛУЖИВАНИЕ ГЕНЕРАТОРА

Техническое обслуживание генератора состоит из поддержания агрегата чистым и сухим. Эксплуатируйте и храните агрегат в сухом чистом месте, где нет чрезмерного воздействия пыли, грязи, влаги или коррозионных испарений. Отверстия для охлаждения воздухом не должны быть закупорены снегом, листьями или другими посторонними предметами.

Регулярно проверяйте чистоту генератора и очищайте его внешнюю поверхность от пыли, грязи, масла, влаги или других посторонних веществ.

▲ ОСТОРОЖНОСТЬ!

! Запрещается помещать какие-либо предметы или инструменты в отверстия для охлаждения воздухом, даже когда двигатель не работает.

ПРИМЕЧАНИЕ.

НЕ очищайте генератор с помощью садового шланга. Вода может попасть в топливную систему двигателя и привести к неполадкам. К тому же, если вода попадает в генератор через отверстия для охлаждения воздухом, то она может остаться в свободных пространствах и полостях межобмоточной изоляции ротора и статора. Накопление воды и грязи на межобмоточной изоляции генератора приведет к понижению ее сопротивления.

3.3.2 ОЧИСТКА ГЕНЕРАТОРА

- Вытирайте внешние поверхности влажной тряпкой.
- Для отделения затвердевшей грязи, масла и т. п. можно использовать мягкую щетинную щетку.
- Для сбора отслоившейся грязи и мусора можно использовать пылесос.
- Для сдувания загрязнений можно использовать воздух под давлением (не более 0,172 МПа (25 фунт. на кв. дюйм)). Проверьте все отверстия на генераторе, включая предназначенные для охлаждения воздухом. Они должны быть чистыми и незакупоренными.

3.3.3 ТЕХНИЧЕСКОЕ ОБСЛУЖИВАНИЕ ДВИГАТЕЛЯ

▲ ОСТОРОЖНОСТЬ!

! При обслуживании генератора всегда отключайте кабель отрицательного заряда от аккумуляторной батареи. Также отсоединяйте от свечи зажигания ее провод и не допускайте дальнейшего контакта между ними.

3.3.4 ПРОВЕРКА УРОВНЯ МАСЛА

Информацию по проверке уровня масла см. в разделе «ДЕЙСТВИЯ ПЕРЕД ЗАПУСКОМ ГЕНЕРАТОРА». Уровень масла следует проверять перед каждым началом эксплуатации или по меньшей мере каждые восемь часов работы. Поддерживайте масло на должном уровне.

3.3.5 ЗАМЕНА МАСЛА И МАСЛЯНОГО ФИЛЬТРА

Замените масло и фильтр после первых 30 часов работы. Далее заменяйте масло каждые 100 часов или ежесезонно. Проводите замену масла чаще при работе этого агрегата в грязных или пыльных условиях, а также при высокой температуре окружающей среды.

▲ ОПАСНОСТЬ!

! Горячее масло может привести к ожогам. Перед сливом масла позвольте двигателю остыть. Не допускайте продолжительный или частый контакт кожи с отработанным маслом. Тщательно вымойте с мылом подвергшиеся воздействию участки кожи.

Для замены масла следуйте следующим инструкциям:

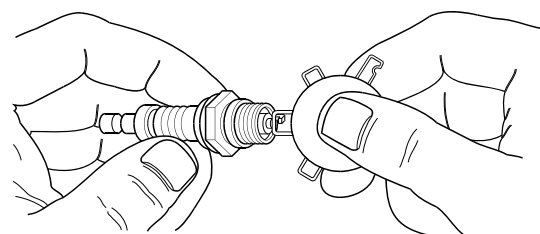
1. Очистите место возле крышки маслослива.
2. Снимите эту крышку с дренажного шланга и снимите заглушку маслосливной горловины, чтобы полностью слить масло в подходящую емкость.
3. После того как масло полностью выльется, установите крышку маслослива и надежно затяните.
4. Установите подходящую емкость под масляным фильтром, поверните его против часовой стрелки, чтобы снять. Утилизируйте в соответствии с местными правилами.
5. Смажьте сальник нового фильтра чистым моторным маслом. Поворачивайте фильтр по часовой стрелке, пока сальник слегка не упрется в переходник фильтра. Затем дополнительно затяните на 3/4 оборота.
6. Заполните маслосборник рекомендуемым маслом и замените заглушку заливной горловины. (Рекомендации по выбору масла см. в разделе «Действия перед запуском генератора»).
7. Полностью вытрите пролитое масло.
8. Утилизируйте отработанное масло в надлежащем центре по сбору и утилизации.

3.3.6 ЗАМЕНА СВЕЧИ ЗАЖИГАНИЯ

Используйте свечу зажигания типа Champion RC14YC или эквивалент. **Заменяйте свечу один раз в год.** Это поспособствует более простому запуску и улучшенной работе двигателя.

1. Остановите двигатель и потяните провод от свечи зажигания, чтобы их разъединить.
2. Для доступа отвинтите 4 (четыре) винта с головкой под торцевой ключ и снимите боковую панель.
3. Очистите место возле свечи зажигания и снимите ее с головки цилиндра.
4. Установите между электродами свечи зажигания зазор 0,76 мм. Установите свечу с надлежащим зазором в головку цилиндра (рисунок 14).
5. Наденьте чехол прямо на свечу зажигания и установите боковую панель.

Рисунок 14 – Зазор между электродами свечи зажигания



3.4 ОБСЛУЖИВАНИЕ ВОЗДУШНОГО ФИЛЬТРА

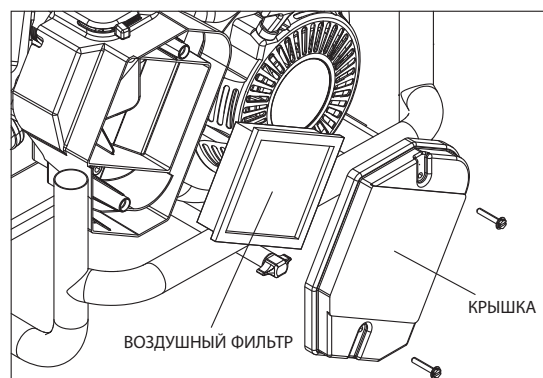
При использовании грязного воздушного фильтра двигатель не будет работать надлежащим образом и может поломаться. Очищайте или заменяйте бумажный фильтрующий элемент воздушного фильтра каждые 200 часов или один раз в год (рисунок 15). Выполняйте очистку или замену чаще при работе в пыльных условиях. Выполните следующие инструкции по очистке или замене воздушного фильтра.

1. Снимите крышку воздушного фильтра и снимите бумажный фильтрующий элемент (рисунок 15).
2. Очистите бумажный фильтрующий элемент, слегка постучав им по твердой поверхности. Если фильтрующий элемент очень грязный, замените его новым. Утилизируйте использованный фильтрующий элемент надлежащим образом.
3. Очистите крышку воздушного фильтра. Далее вставьте новый бумажный фильтрующий элемент в основание воздушного фильтра. Установите на место крышку воздушного фильтра.

ПРИМЕЧАНИЕ.

Чтобы заказать новый воздушный фильтр, свяжитесь с ближайшим авторизованным сервисным центром, который можно найти по адресу www.generac.com/DealerLocator. Код товара для воздушного фильтра – 073111.

Рисунок 15 – Воздушный фильтр



3.5 ОЧИСТКА СЕТКИ ИСКРОГАСИТЕЛЯ

В глушитель выхлопа двигателя встроена сетка искрогасителя. Проверяйте и очищайте ее по меньшей мере один раз в год (рисунок 16). Выполняйте проверку и проводите чистку чаще, если агрегат используется регулярно.

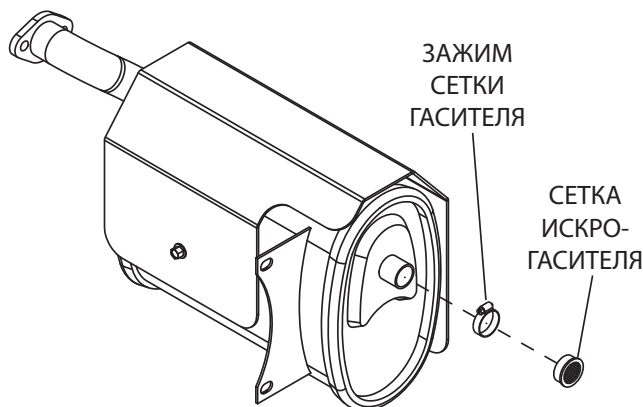
⚠ ОПАСНОСТЬ!

⚠ Генератор необходимо оборудовать искрогасителем при использовании на местности, покрытой лесом, кустарником или травой. Владельцу/оператору необходимо поддерживать искрогаситель в рабочем состоянии.

Проводите очистку и выполняйте проверку искрогасителя при температуре окружающей среды, выполняя следующие инструкции.

1. Ослабьте зажим и снимите сетку искрогасителя с глушителя.
2. Проверьте сетку и замените при наличии разрывов, отверстий или других повреждений. НЕ ИСПОЛЬЗУЙТЕ сетку с дефектами. Если сетка не повреждена, очистите ее техническим растворителем.
3. Установите обратно искрогаситель и зафиксируйте зажимом.

Рисунок 16 – Сетка искрогасителя



3.6 ОБЩИЕ СВЕДЕНИЯ

Генератор следует запускать по меньшей мере один раз в 30 дней, а также он должен проработать по меньшей мере 30 минут. Если это невозможно и агрегат должен оставаться на хранении более 30 дней, используйте следующую информацию в качестве руководства подготовки агрегата к постановке на хранение.

⚠ ОПАСНОСТЬ!

⚠ ЗАПРЕЩАЕТСЯ хранить двигатель с оставшимся в баке топливом в помещении или в закрытых местах с плохой вентиляцией, где пары могут достигнуть открытого пламени, искр или запала (например, в печи, водонагревателя, сушильной машине для белья или других газовых устройствах).

⚠ Перед хранением позвольте агрегату полностью остыть.

3.7 ДЛИТЕЛЬНОЕ ХРАНЕНИЕ

При хранении существенно необходимо предотвращать образование резинового осадка в таких основных деталях системы, как карбюратор, топливный шланг или бак. Исходя из опыта, также известно, что спиртово-топливные смеси (которые называются бензоспирт, этанол или метанол) могут притягивать влагу, вследствие чего при хранении происходит расслоение жидкости и образуются кислоты. Газообразная кислота может повредить топливную систему двигателя на хранении.

Чтобы избежать неполадок в двигателе, следует осушить топливную систему перед постановкой на хранение от 30 дней, выполняя следующие инструкции.

1. Добавьте стабилизатор качества бензина в топливо в соответствии с рекомендациями производителя и позвольте агрегату поработать в течение 10–15 минут.
2. После охлаждения двигателя слейте весь бензин из топливного бака. Используйте доступный для приобретения непроводящий вакуумный сифон.

⚠ ОПАСНОСТЬ!

⚠ Сливайте топливо в подходящую емкость вне помещения подальше от источника открытого пламени. Убедитесь, что двигатель холодный. Не курите.

3. Запустите и позвольте двигателю поработать, пока он не остановится из-за нехватки топлива.
4. После охлаждения двигателя, слейте из него масло. Заправьте маслом рекомендуемого типа.
5. Снимите свечу зажигания и залейте около 15 мл (1/2 унции) моторного масла в цилиндр. Закройте отверстие свечи зажигания ветошью. Несколько раз потяните веревочный стартер, чтобы смазать поршневые кольца и отверстие цилиндра. Вместо масла можно также использовать вуалирующий агент.

⚠ ОСТОРОЖНОСТЬ!

⚠ Избегайте брызг из отверстия свечи зажигания при заводе двигателя.

6. Установите и затяните свечу зажигания. Не присоединяйте к ней провод.
7. Очистите внешние поверхности генератора. Проверьте все отверстия на генераторе, включая предназначенные для охлаждения воздухом, чтобы они были открыты и незакупорены.
8. Храните агрегат в сухом чистом месте.

3.8 ДРУГИЕ ПОЛЕЗНЫЕ СОВЕТЫ ПО ХРАНЕНИЮ

- Не оставляйте бензин на следующий сезон.
- Заменяйте любой бензин, который начал разлагаться. Разложение и/или загрязнения в бензине приведут к неполадкам в карбюраторе и топливной системе.
- По возможности храните агрегат в помещении и накройте его, чтобы защитить от пыли и грязи. Закрывайте агрегат подходящим защитным кожухом, который не пропускает влагу.
- **ПРОВЕРЬТЕ, ЧТОБЫ ТОПЛИВНЫЙ БАК БЫЛ ПУСТ.** Если нецелесообразно хранить агрегат без топлива в баке, например при непродолжительном времени, используйте доступный для приобретения стабилизатор топлива, который добавляется в бензин для продления срока его хранения.

⚠ ОСТОРОЖНОСТЬ!

⚠ ЗАПРЕЩАЕТСЯ накрывать генератор, пока двигатель и выхлопная часть теплые.

4.1 ЗАМЕНА АККУМУЛЯТОРНОЙ БАТАРЕИ

ПРИМЕЧАНИЕ.

Аккумуляторная батарея поставляется с генератором полностью заряженной. Аккумуляторная батарея может частично разрядиться, если не будет использоваться продолжительное время. Если невозможно завести двигатель с помощью аккумуляторной батареи, подключите 12-вольтовое зарядное устройство из коробки с принадлежностями (см. раздел «Зарядка аккумуляторной батареи»). РАБОТАЮЩИЙ ГЕНЕРАТОР НЕ ЗАРЯЖАЕТ АККУМУЛЯТОРНУЮ БАТАРЕЮ.

Аккумуляторная батарея поставляется с генератором полностью заряженной. Замена аккумуляторной батареи (см. рисунок 17).

1. Снимите боковую панель, как указано на рисунке. Снимите четыре болта, крепящие топливный бак.
2. Переверните топливный клапан на панели управления в положение OFF (ВЫКЛ.). Слегка потяните топливный бак и снимите шланг, соединяющий двигатель и топливный клапан.

▲ ОСТОРОЖНОСТЬ!

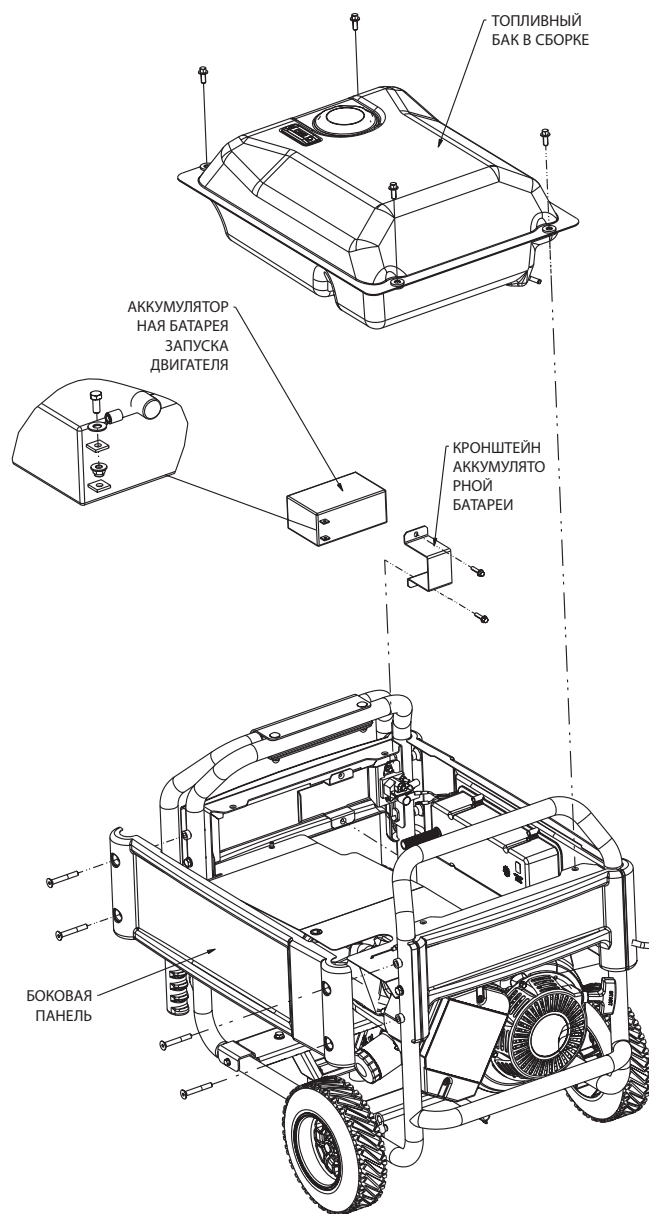
! Сливайте топливо в подходящую емкость вне помещения подальше от источника открытого пламени. Убедитесь, что двигатель холодный. Не курите вблизи от места работы, а также не подкуривайте.

3. Надавите на топливный клапан с панели управления и снимите топливный бак.
4. Отсоедините провода на аккумуляторной батарее (сначала черный провод) и снимите удерживающий ее кронштейн.
5. Установите аккумуляторную батарею на место, подключив КРАСНЫЙ провод к клемме ПОЛОЖИТЕЛЬНОГО ЗАРЯДА (+), а ЧЕРНЫЙ провод – к клемме ОТРИЦАТЕЛЬНОГО ЗАРЯДА (-)

ПРИМЕЧАНИЕ.

Перед тем как завинтить, наживите все четыре винта на боковой панели, поскольку потом может не получиться установить их на место.

Рисунок 17 – Извлечение аккумуляторной батареи



5.1 РУКОВОДСТВО ПО ПОИСКУ И УСТРАНЕНИЮ НЕИСПРАВНОСТЕЙ

НЕПОЛАДКА	ПРИЧИНА	МЕТОД УСТРАНЕНИЯ
Двигатель работает, но на выходе нет перем. тока.	<ol style="list-style-type: none"> 1. Открыт размыкатель цепи. 2. Ненадежное соединение или поврежденный шнуровой комплект. 3. Неисправное подключенное устройство. 4. Сбой генератора. 	<ol style="list-style-type: none"> 1. Сбросьте размыкатель цепи. 2. Проверьте и отремонтируйте. 3. Подключите другое работающее устройство. 4. Обратитесь в авторизованный сервисный центр.
Двигатель работает, но «захлебывается», когда подключены нагрузки.	<ol style="list-style-type: none"> 1. Короткое замыкание в подключенной нагрузке. 2. Генератор перегружен. 3. Слишком малая скорость двигателя. 4. Короткое замыкание в цепи генератора. 	<ol style="list-style-type: none"> 1. Отключите замкнутую электрическую нагрузку. 2. См. раздел «Не перегружайте генератор». 3. Обратитесь в авторизованный сервисный центр. 4. Обратитесь в авторизованный сервисный центр.
Двигатель не заводится.	<ol style="list-style-type: none"> 1. Малый заряд или полное его отсутствие в аккумуляторной батарее. 	<ol style="list-style-type: none"> 1. Зарядите или замените аккумуляторную батарею (см. раздел «На выходе зарядного устройства для аккумуляторной батареи нет пост. тока» ниже в руководстве). 2. Запустите двигатель вручную с помощью веревочного стартера.
Двигатель не запускается или запускается, но работает неровно.	<ol style="list-style-type: none"> 1. ЗАКРЫТ топливный отсеchnый клапан. 2. Загрязненный воздушный фильтр. 3. Нет бензина. 4. Старый бензин. 5. Провод свечи зажигания не подсоединен к ней. 6. Неисправная свеча зажигания. 7. Вода в бензине. 8. Чрезмерный подсос. 9. Низкий уровень масла. 10. Слишком богатая топливная смесь. 11. Впускной клапан заклинился в открытом положении или закрыт. 12. Нарушена компрессия в двигателе. 	<ol style="list-style-type: none"> 1. ОТКРОЙТЕ топливный отсеchnый клапан. 2. Очистите или замените воздушный фильтр. 3. Заправьте топливный бак. 4. Слейте топливо из бака; заправьте свежим топливом. 5. Присоедините провод к свече зажигания. 6. Замените свечу зажигания. 7. Слейте топливо из бака; заправьте свежим топливом. 8. Переведите рукоятку «подсоса» в положение No Choke (Нет подсоса). 9. Заправьте картер до надлежащего уровня. 10. Обратитесь в авторизованный сервисный центр. 11. Обратитесь в авторизованный сервисный центр. 12. Обратитесь в авторизованный сервисный центр.
Двигатель выключается во время работы.	<ol style="list-style-type: none"> 1. Нет бензина. 2. Низкий уровень масла. 3. Сбой двигателя. 	<ol style="list-style-type: none"> 1. Заправьте топливный бак. 2. Заправьте картер до надлежащего уровня. 3. Обратитесь в авторизованный сервисный центр.
У двигателя недостаточно мощности.	<ol style="list-style-type: none"> 1. Слишком большая нагрузка. 2. Загрязненный воздушный фильтр. 3. Необходимо провести техническое обслуживание двигателя. 	<ol style="list-style-type: none"> 1. См. раздел «Не перегружайте генератор». 2. Замените воздушный фильтр. 3. Обратитесь в авторизованный сервисный центр.
Двигатель дергается или дрожит.	<ol style="list-style-type: none"> 1. Слишком рано открыт подсос. 2. В карбюраторе слишком богатая или бедная топливная смесь. 	<ol style="list-style-type: none"> 1. Переведите рукоятку «подсоса» в среднее положение, пока двигатель не заработает ровно. 2. Обратитесь в авторизованный сервисный центр.
На выходе зарядного устройства для аккумуляторной батареи нет пост. тока.	<ol style="list-style-type: none"> 1. Ржавые клеммы на аккумуляторной батарее. 2. Поврежден кабель аккумуляторной батареи. 3. Неисправна аккумуляторная батарея. 4. Неисправна розетка. 5. Разомкнута цепь из-за встроенного расплавления плавкого предохранителя (1,5 А) зарядного устройства для аккумуляторной батареи. 	<ol style="list-style-type: none"> 1. Очистите клеммы аккумуляторной батареи. 2. Замените кабель. 3. Проверьте состояние батареи; при необходимости замените. 4. Обратитесь в авторизованный сервисный центр. 5. Замените плавкий предохранитель только идентичным запасным предохранителем на 1,5 А (расположен внутри панели управления).